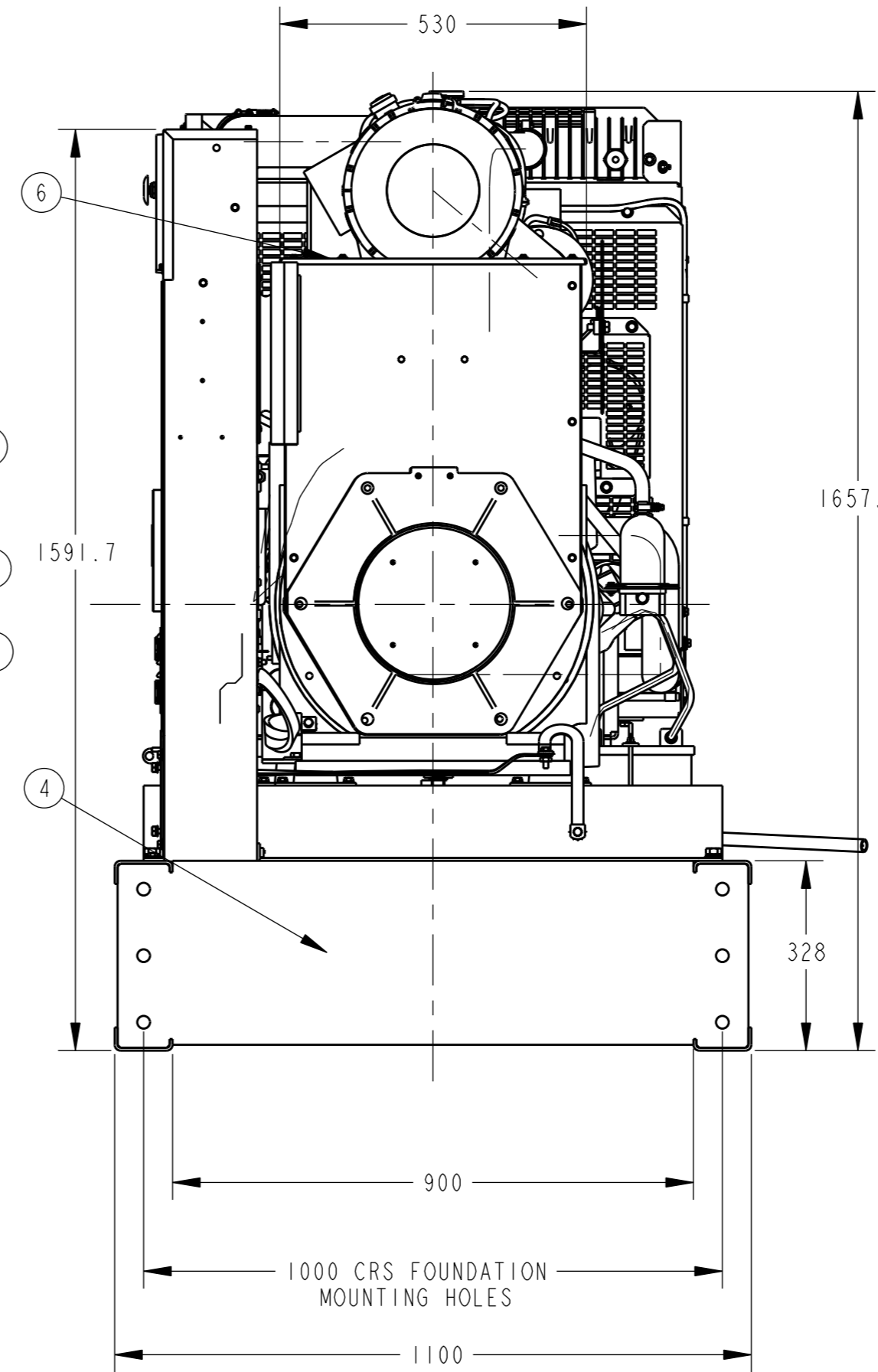
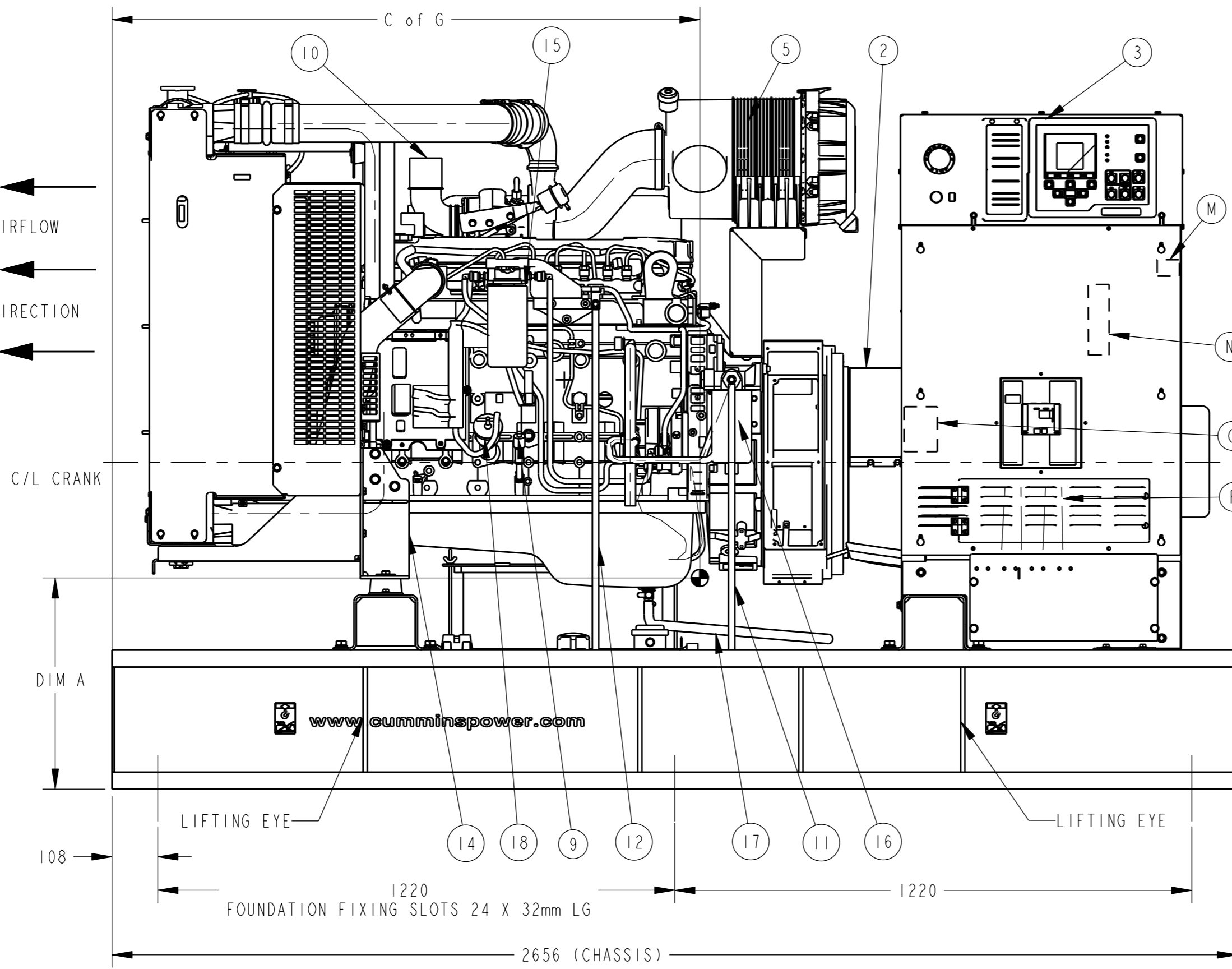
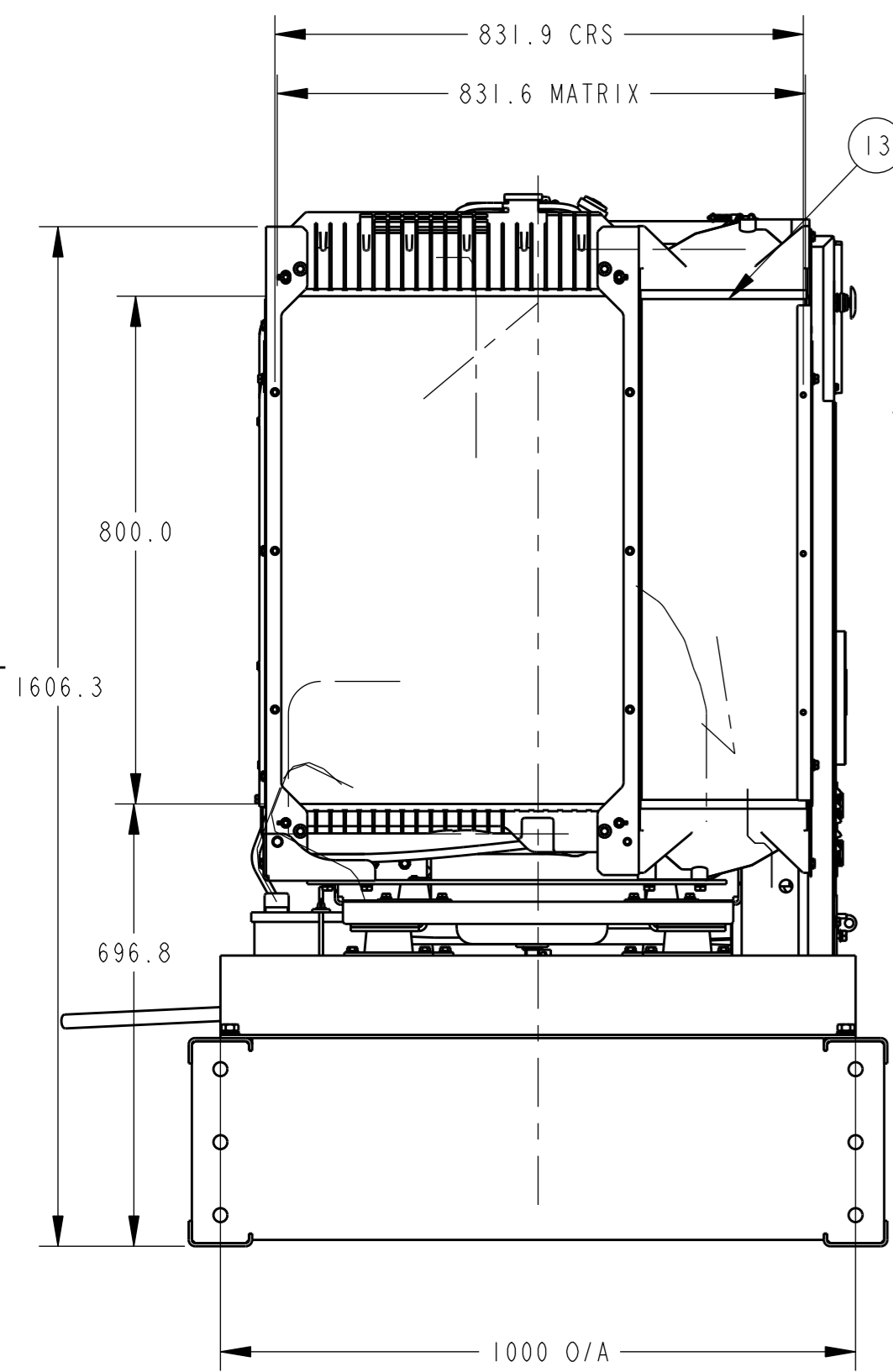
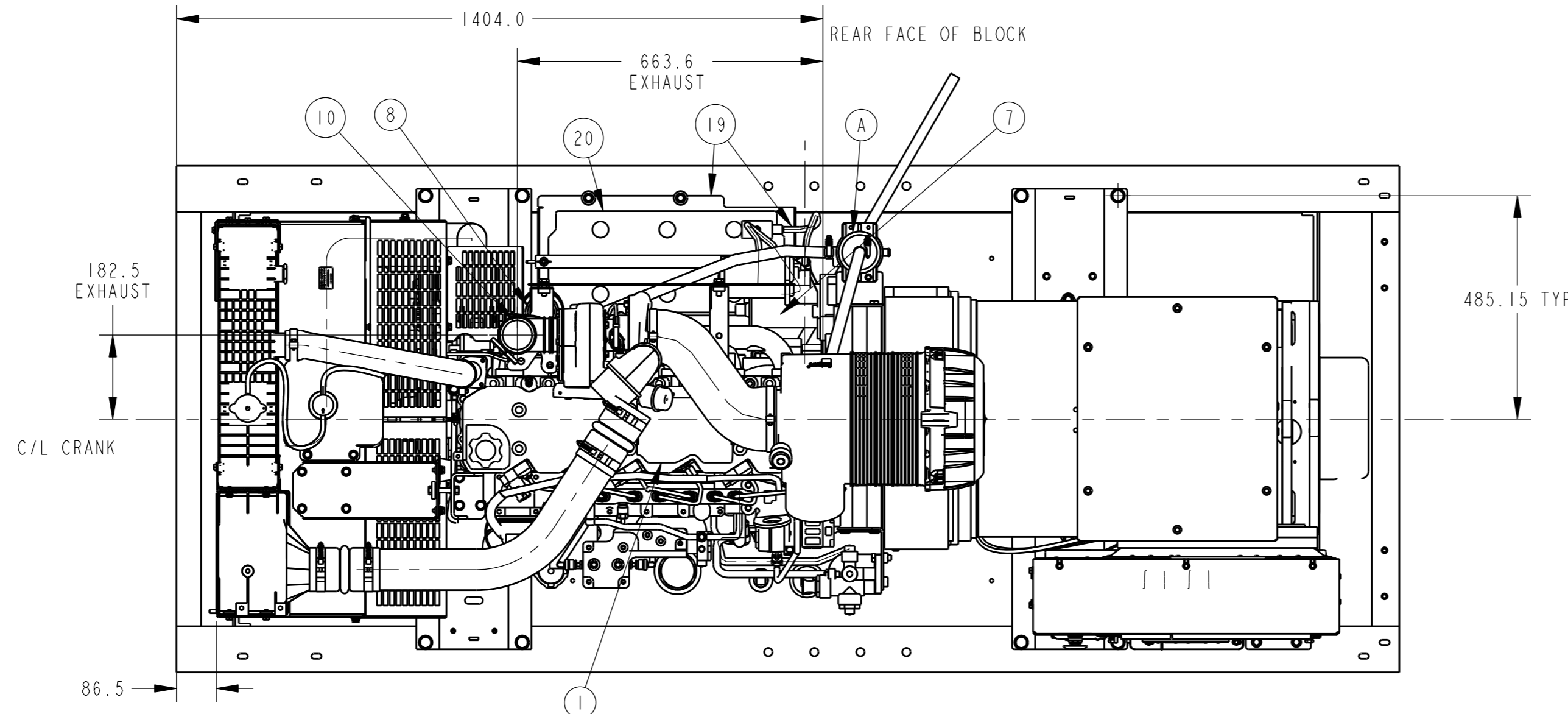


REL NO	LTR	NO	REVISION	ZONE	DR	CHR	APPROVED	DATE
OSB7 G5	A	1	DEVELOPMENT RELEASE	-	AS	AS	FLYNN	28/03/08



QTY	ITEM	PART NO	DWG SIZE	DESCRIPTION OR MATERIAL
1	20	-	--	BATTERY (12V 1100 CCA)
1	19	-	--	BATTERY TRAY & LEADS
1	18	-	--	OIL FILLER
1	17	-	--	SUMP DRAIN
1	16	-	--	FUEL/WATER SEPARATOR
1	15	-	--	FUEL FILTER
4	14	-	--	RESILIENT MOUNTINGS
1	13	-	--	RADIATOR 50°C
1	12	-	--	FUEL LINE RETURN-3/8" I/D
1	11	-	--	FUEL LINE INLET 3/8" I/D
1	10	-	--	EXHAUST OUTLET (4" O/D)
1	9	-	--	OIL LEVEL DIPSTICK
1	8	-	--	LUB-OIL FILTER
1	7	-	--	12V STARTER - FARSIDE
1	6	-	--	CONTROL HOUSING
1	5	-	--	AIR CLEANER (HD)
1	4	-	--	CHASSIS
1	3	-	--	CONTROL PANEL PCC1302
1	2	-	--	ALTERNATOR-CGT UC274
1	1	-	--	ENGINE-OSB7-G3

AVAILABLE OPTIONS (NOT SHOWN UNLESS STATED)	
ITEM	DESCRIPTION
A	COOLANT HEATER (SHOWN)
B	EXHAUST BELLOWS
C	EXHAUST FIXING KIT
D	INLINE ENTRY 9dB SILENCER
E	SIDE ENTRY 9dB SILENCER
F	INLINE ENTRY 25 dB SILENCER
G	SIDE ENTRY 25 dB SILENCER
H	INLINE ENTRY 35 dB SILENCER
J	SIDE ENTRY 35 dB SILENCER
K	FUEL TRANSFER PUMP
L	TOOLKIT
M	BATTERY CHARGER (SHOWN)
N	AUXILLARY SUPPLY 115-230V (SHOWN)
P	LOAD CONNECTIONS (SHOWN)
Q	MAIN EARTH CONNECTION (SHOWN)

ENGINE	ALTERNATOR	WT WITH WET ENGINE Kg	WT WITH WET ENGINE & FUEL Kg	WT WITH DRY ENGINE Kg	DIM A	C of G
OSB7-G5	UC274J	1765	2321	1739	525.7	1349.0
OSB7-G5	UC274H	1670	2226	1544	527.2	1368.3
OSB7-G5	UC274G	1624	2180	1598	528.4	1386.1
OSB7-G5	UC274F	1572	2128	1546	530.0	1409.3

<b>DO NOT SCALE PRINT</b>	TOLERANCE UNLESS STATED ALL DIMENSIONS IN MM	SIM TO	NAME	DATE		<b>CUMMINS POWER GENERATION</b> COLUMBUS AVENUE, MANSTON, RAMSGATE KENT, CT12 5BP, ENGLAND, UK
	X ± 3 X.X ± 0.5 X.XX ± 0.1	COPIED FROM THIRD ANGLE PROJECTION THIS DOCUMENT IS THE PROPERTY OF CUMMINS AND CONFIDENTIAL INFORMATION WHICH MUST NOT BE REPRODUCED, USED OR DISCLOSED OTHER THAN EXPRESSLY AUTHORIZED BY CUMMINS POWER GENERATION OR IT'S REPRESENTATIVE	DRAWN CHECK APPR	A SHARMA A SHARMA F FLYNN		
ANG TOL ± 1.0°	0.09 - 4.99 +0.15/-0.08 5.00 - 9.99 +0.20/-0.10 10.00 - 24.99 +0.25/-0.13 25.00 - 24.99 +0.30/-0.13	FIRST USED ON	QSB7 G5	PGK	0500-5022	SHEET 1 OF 2

