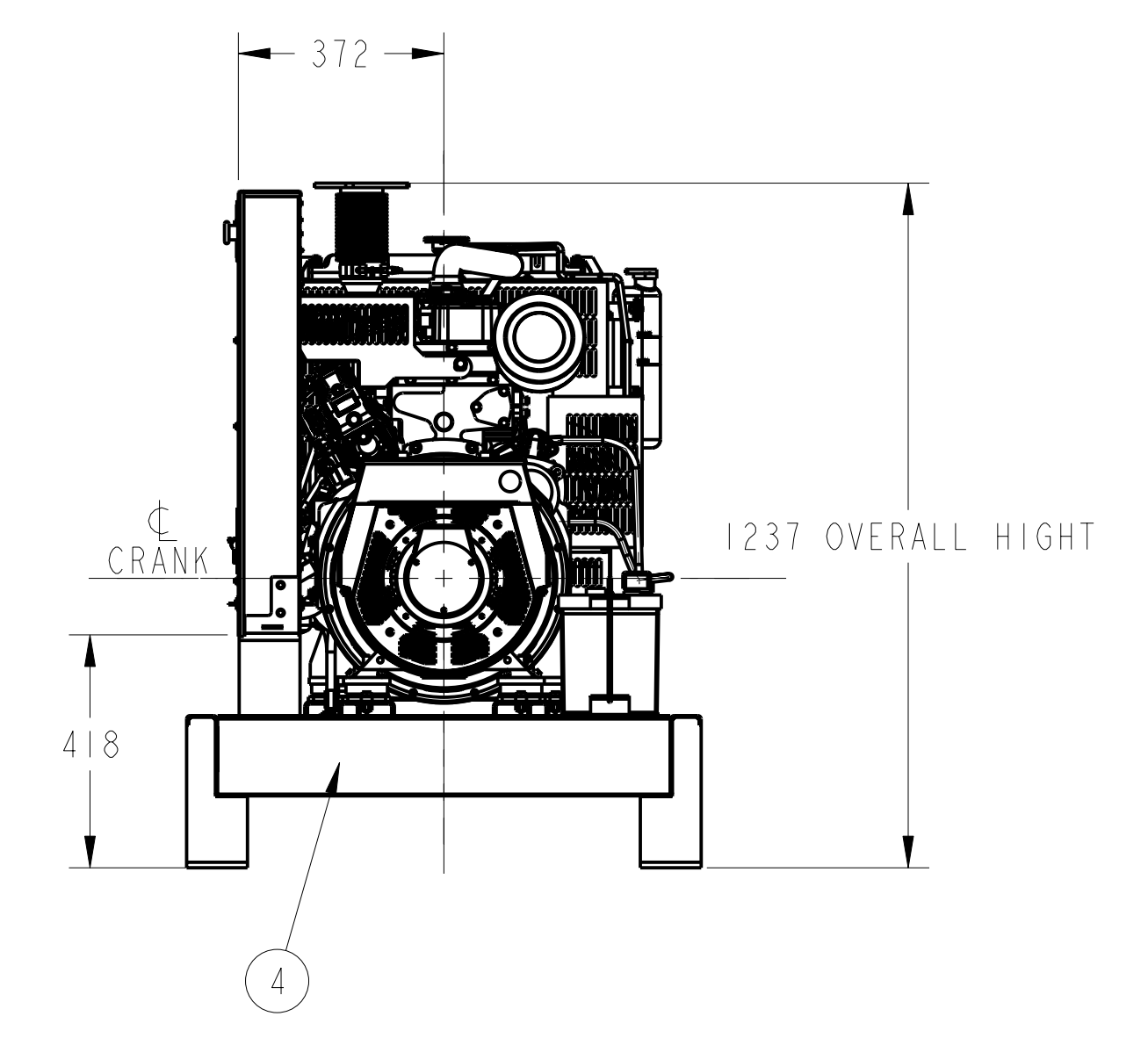
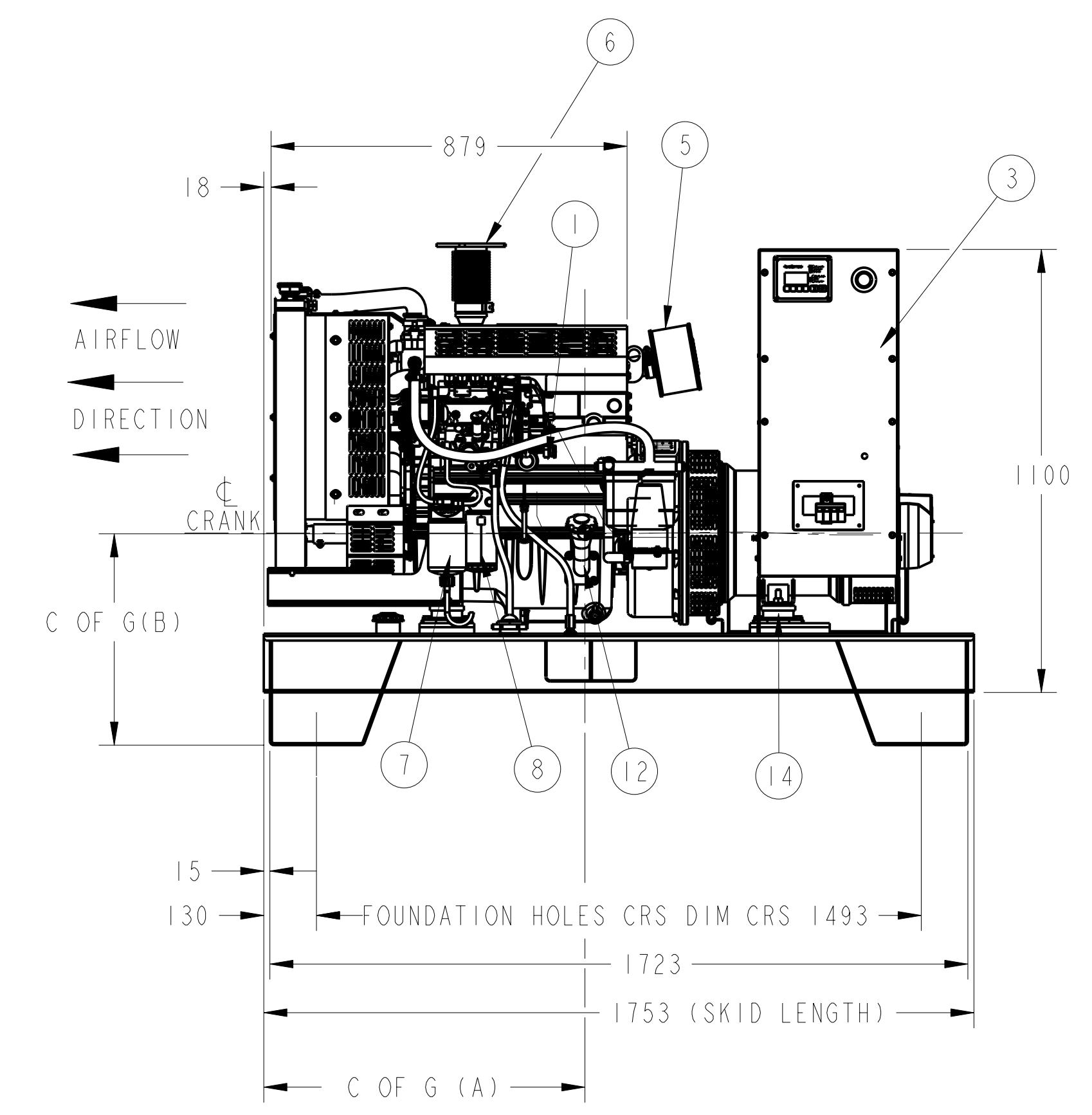
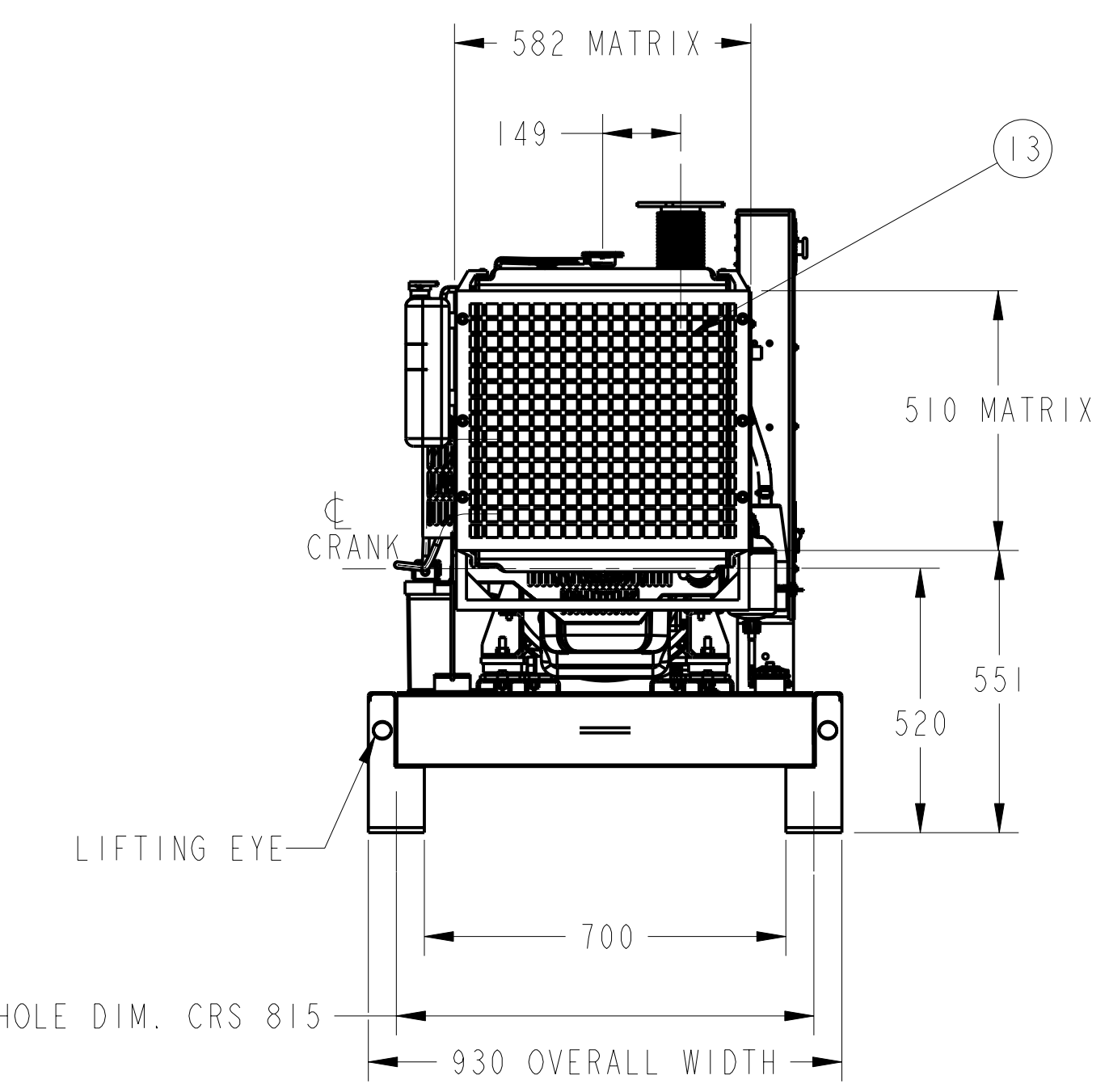
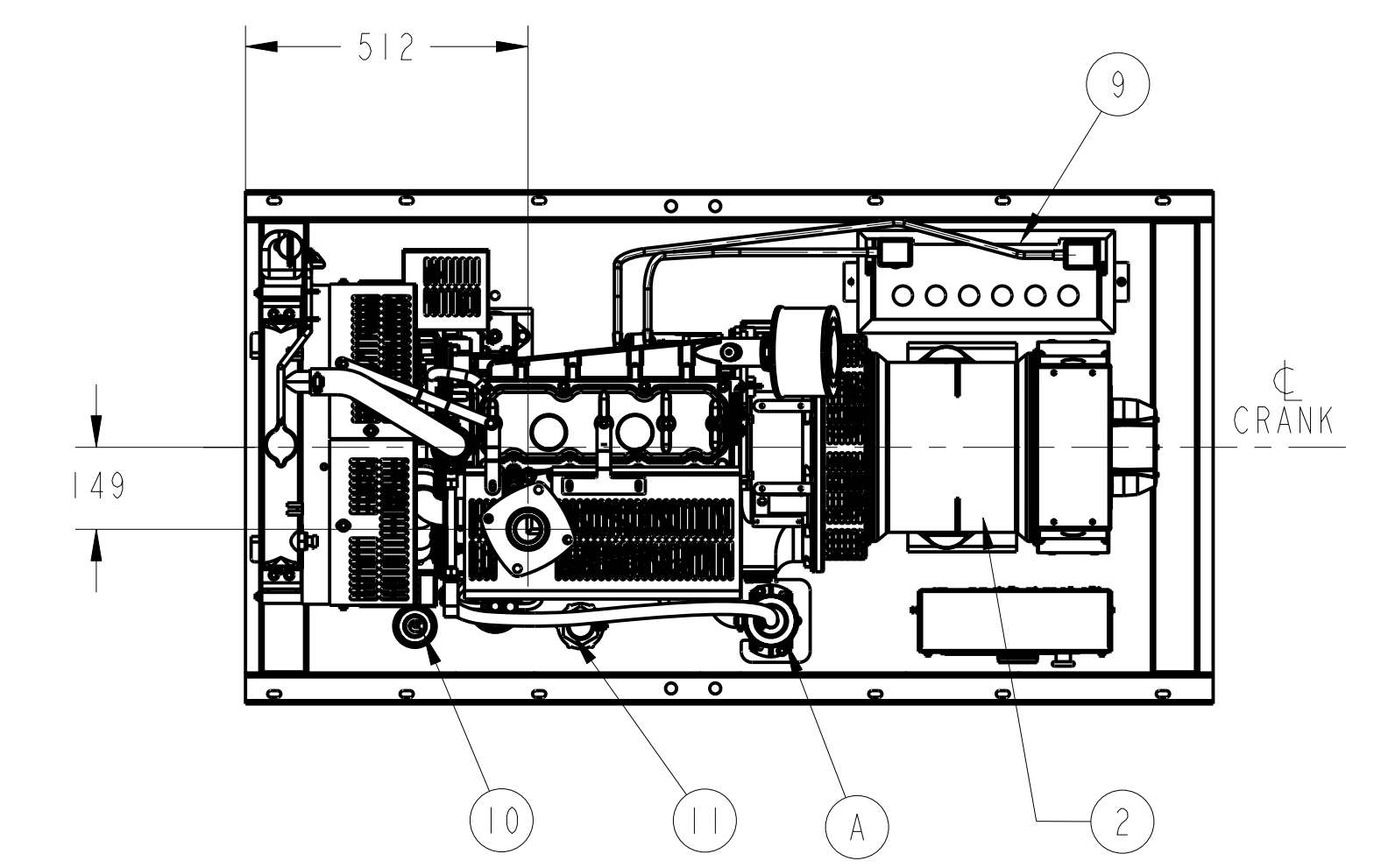
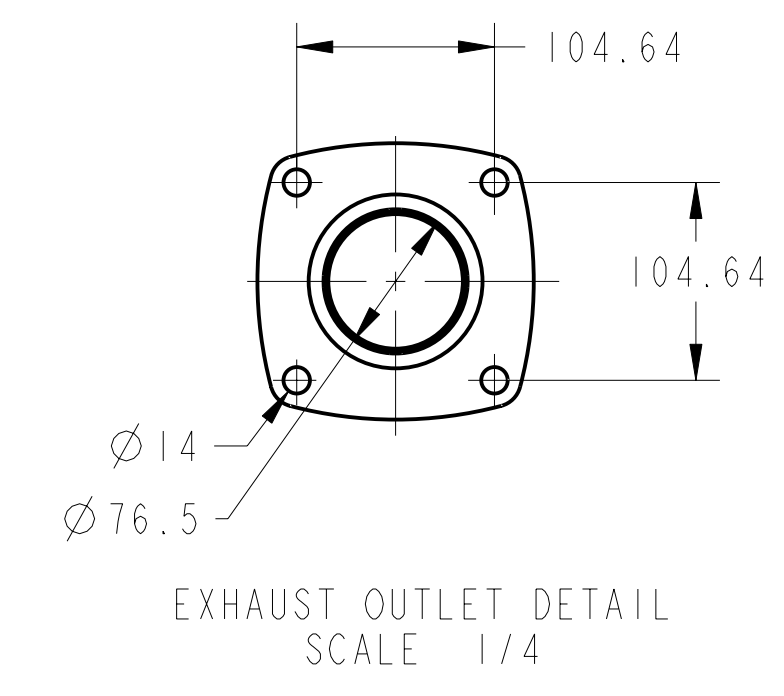


REL NO	LTR	NO	REVISION	ZONE	DWN	CKD	APVD	DATE
ER574660	A	1	PRODUCTION_RELEASE	-	SH	MD	YJ	10-12-07

NOTES:-  
1. CUSTOMER LOAD CABLES TO BE FLEXIBLE TO ALLOW FOR MOVEMENT OF GENSET ON A.V.MOUNTS.  
2. TO BE SUPPLIED LOOSE IN KIT.



FOUNDATION HOLE DIM. CRS 815

ITEM	DESCRIPTION
A	COOLENT HEATER (SHOWN)
B	EXHAUST BELOW
C	EXHAUST FIXING KIT
D	INLINE ENTRY 94b SILENCER
E	SIDE ENTRY 94b SILENCER
F	INLINE ENTRY 94b SILENCER
G	SIDE ENTRY 254b SILENCER
H	INLINE ENTRY 354b SILENCER
J	SIDE ENTRY 354b SILENCER
K	FUEL TRANSFER PUMP
L	TOOLKIT
M	BATTERY CHARGER (SHOWN)
N	AUXILIARY SUPPLY 115-230V (SHOWN)
P	LOAD CONNECTION (SHOWN)
Q	MAIN EARTH CONNECTION (SHOWN)

QTY	ITEM	PART NO	DESCRIPTION OR MATERIAL
1	14	REF ONLY	ISOLATOR-VIBRATION
1	13	REF ONLY	RADIATOR
1	12	REF ONLY	LUB OIL FILLER
1	11	REF ONLY	FUEL LEVEL INDICATOR
1	10	REF ONLY	FUEL FILLER
1	9	REF ONLY	BATTERY
1	8	REF ONLY	LUB-OIL FILTER
1	7	REF ONLY	FUEL FILTER
1	6	REF ONLY	EXHAUST OUTLET
1	5	REF ONLY	AIR-CLEANER
1	4	REF ONLY	SKID AND TANK ASSY
1	3	REF ONLY	CONTORL-PANEL
1	2	REF ONLY	ALTERNATOR
1	1	REF ONLY	ENGINE

ENGINE	ALTERNATOR	WT WITH WET ENGINE kg	WT WITH WET ENGINE & FUEL kg	WT WITH DRY ENGINE kg	C OF G (A)	C OF G (B)
X3.3 G1/	PI 144G	875	1024	710	811	520
X3.3 G2	PI 144H	910	1059	745	814	520

UNLESS OTHERWISE SPECIFIED, ALL DIMENSIONS ARE IN MILLIMETERS

DO NOT SCALE PRINT

ANG TOL: ± 1.0° SCALE: 3/32

FOR INTERPRETATION OF DIMENSIONING AND TOLERANCING, SEE ASME Y14.5M-1994

SHAKTIMAN

Cummins India Limited  
Registered Office: Kolhapur, Pune 411038 (India)

GENSET OUTLINE (OPEN SET)

CIL 0500\_4991

SHEET 1 of 1

Pro/ENGINEER