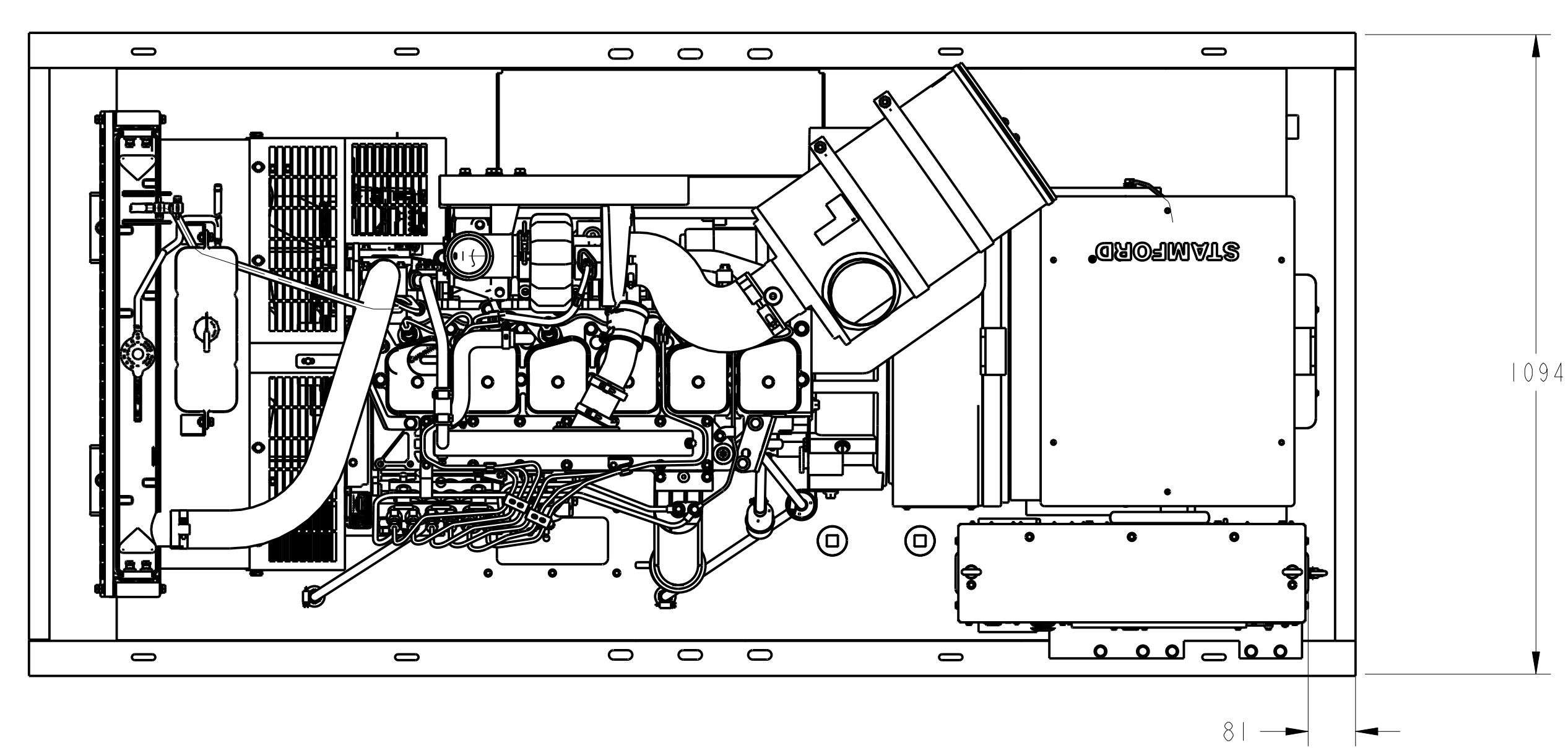
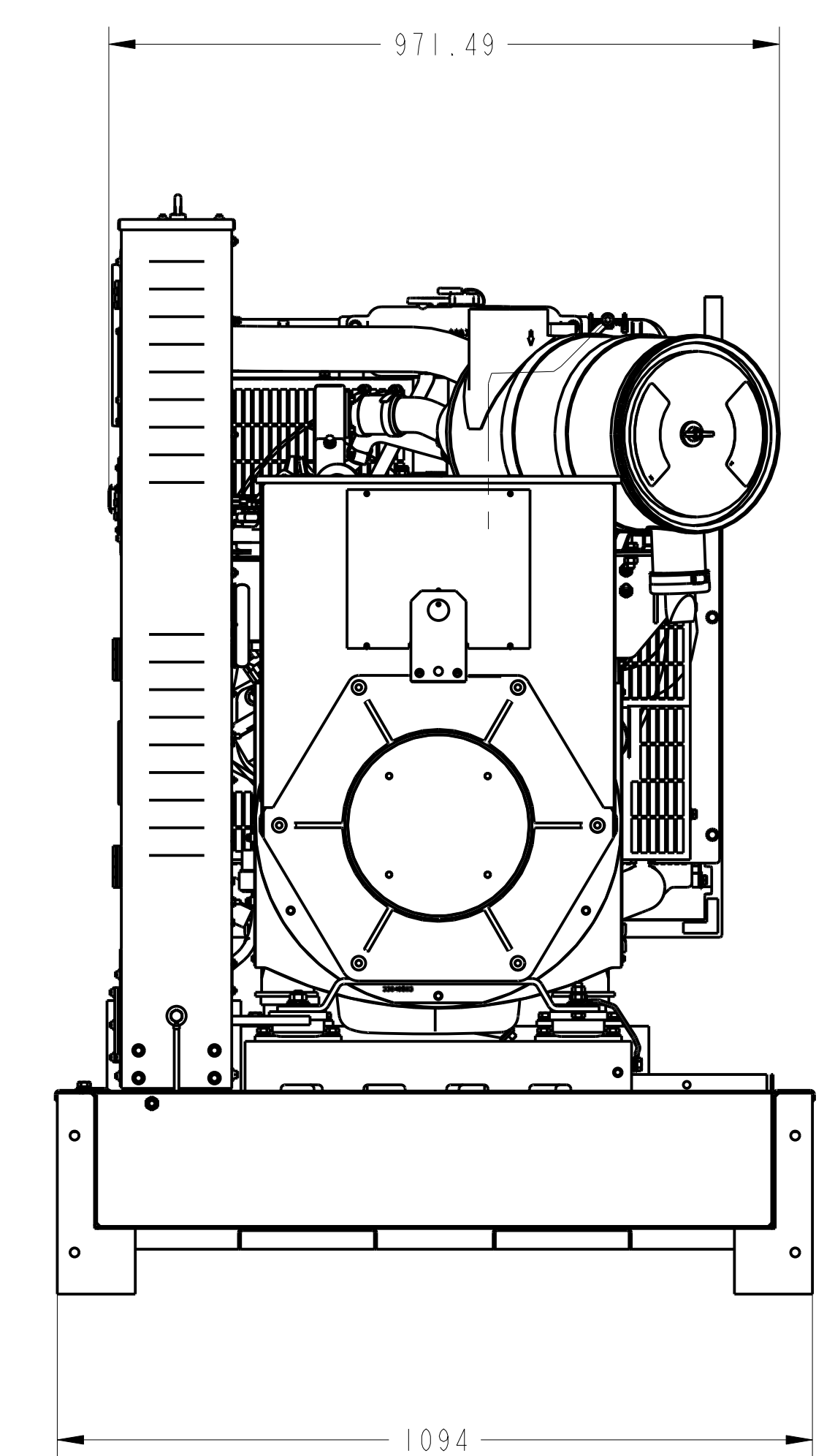
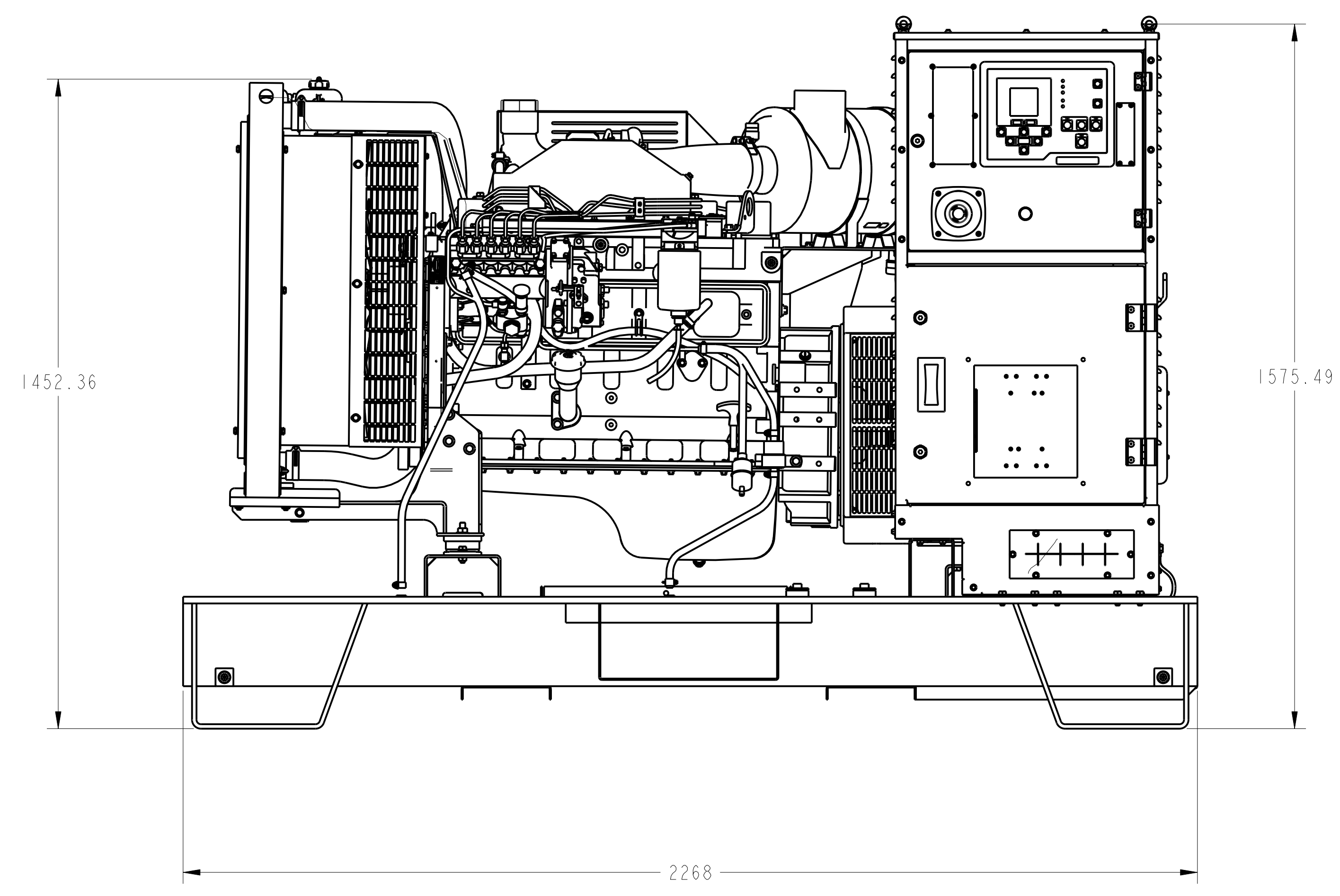
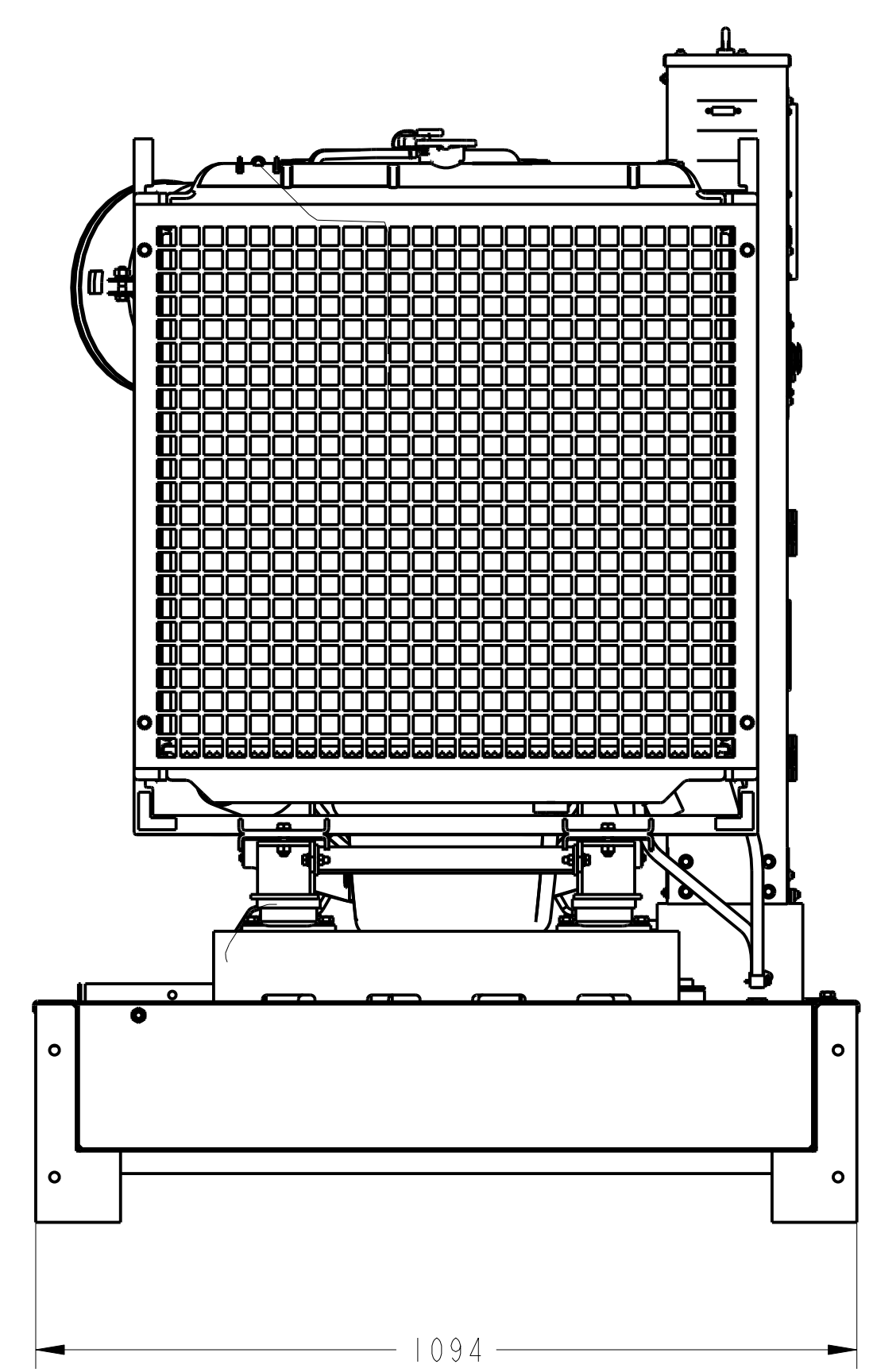


D



PRELIMINARY RESULTS

C



B

A

UNLESS OTHERWISE SPECIFIED, ALL DIMENSIONS ARE IN MILLIMETERS.		SHEET NO		DRW: U. DAGWALE		CUMMINS POWER GENERATION	
DO NOT SCALE PRINT		CNO: B. KULKARNI		OUTLINE, GENSET		SHEET 1 OF 1	
DATE: 14SEP11		APVD: A.GADKARI		SITE CODE: OPEN		A040Z025	
ANG TOL: ± 1.0°		SCALE: 1/8		PROPERTY OF CUMMINS POWER GENERATION GROUP		CONFIDENTIAL	
FOR INTERPRETATION FIRST USED ON 14SEP11		PROPERTY OF CUMMINS POWER GENERATION GROUP		6B URJA		1	