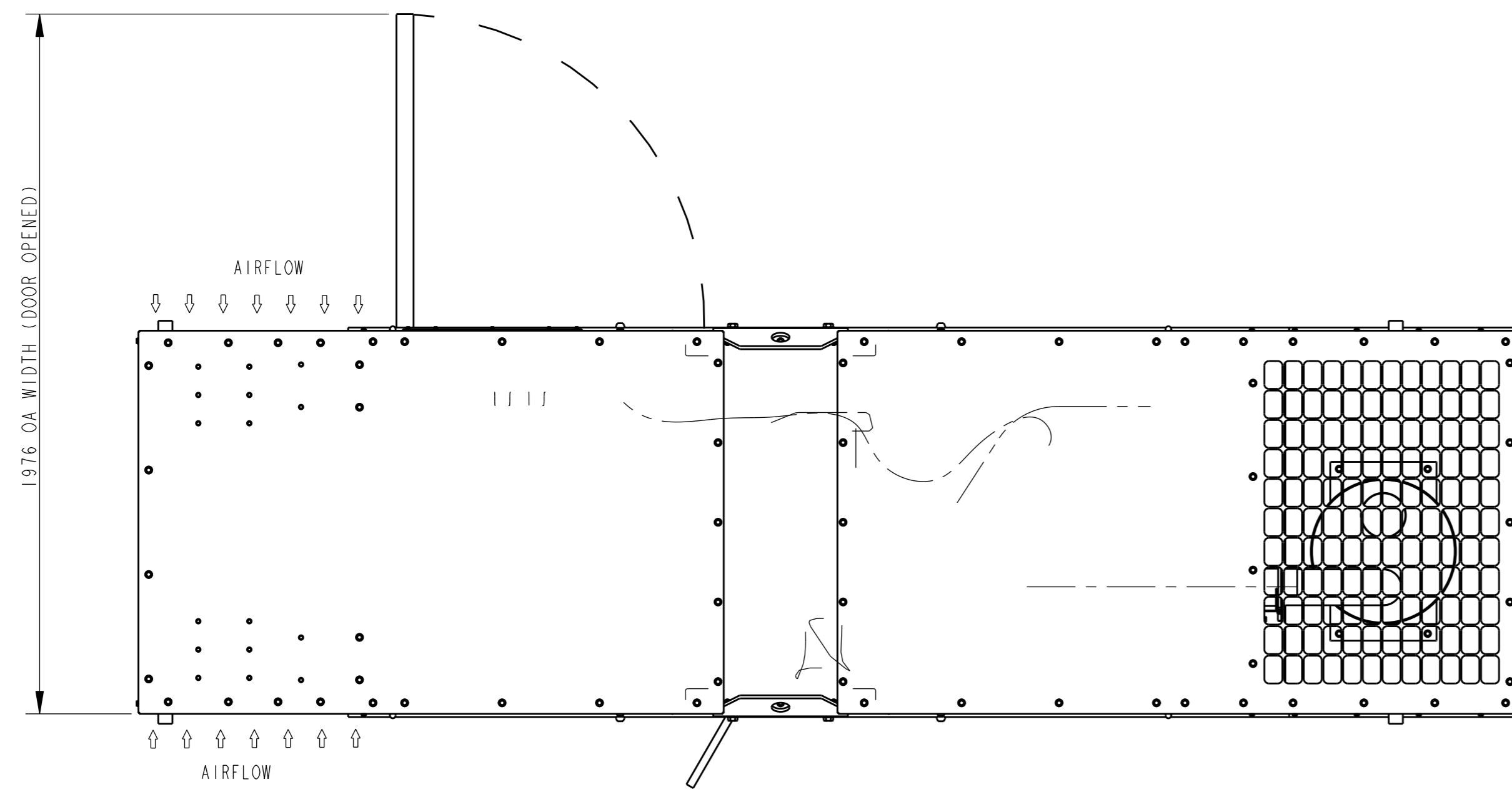
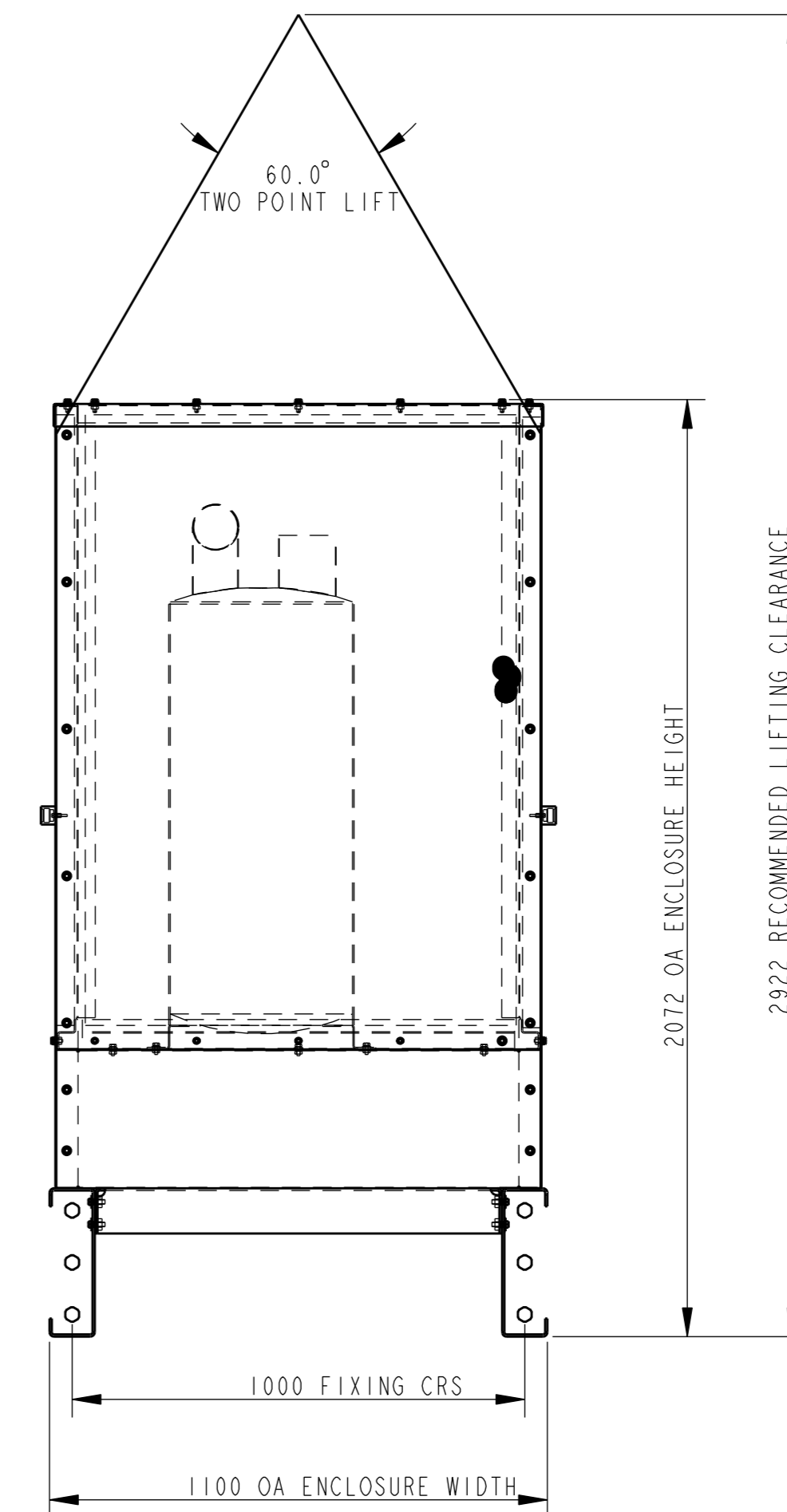
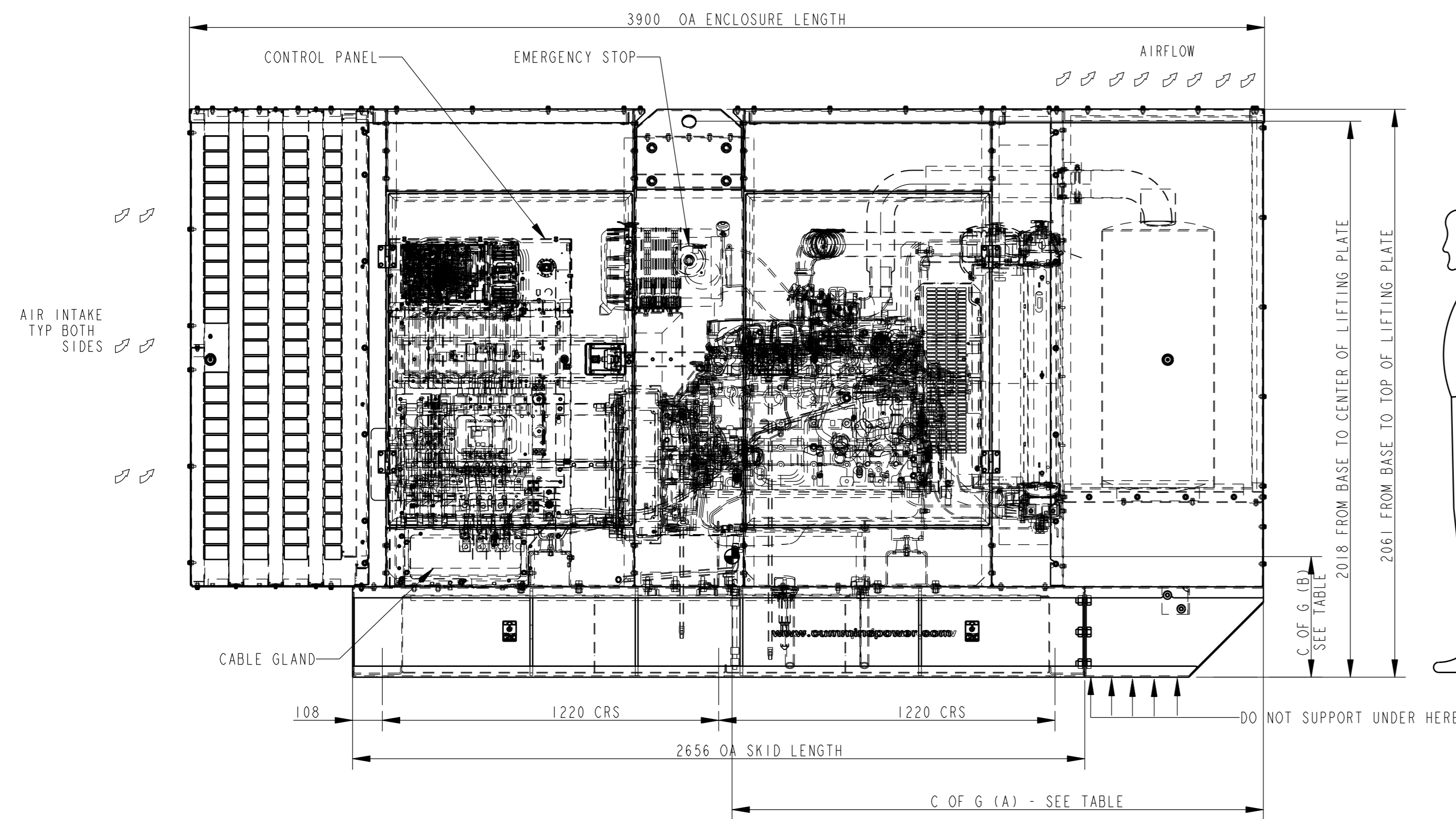


REL NO	LTR	NO	REVISION	ZONE	DR	CHR	APPROVED	DATE
ERK14231	A	1	PRODUCTION RELEASE	-	MD	SB	MATTHEWS	13/02/07



INSTALLATION NOTES:

- PLEASE ALLOW THE FOLLOWING PARAMETER CLEARANCES AROUND THE ENCLOSURE:  
SIDE (INCL. OPEN DOORS): 500mm  
ABOVE THE CANOPY: 1000mm
- BEDFRAME FIXING POINTS REQUIRE AN M20 FASTENING ARRANGEMENT.
- PLEASE REFER TO MANUAL FOR TWO-POINT LIFTING INSTRUCTIONS.
- CENTRE OF GRAVITY IS CALCULATED USING WET WEIGHT PLUS FUEL WITH SAFETY MARGIN OF 1X.
- TERMS AND CONDITIONS CAN BE FOUND AT THE FOLLOWING:-  
[www.cumminspower.com/terms](http://www.cumminspower.com/terms)



ENGINE	ALTERNATOR	WT WITH WET ENGINE Kg	WT WITH WET ENGINE & FUEL Kg	WT WITH DRY ENGINE Kg	C OF G (A)	C of G (B)
QSB7-G5	UC274J	2745	3301	1739	2009	712
QSB7-G5	UC274H	2650	3206	1644	1992	716
QSB7-G5	UC274G	2604	3160	1598	1979	718
QSB7-G5	UC274F	2552	3108	1546	1965	720

<b>DO NOT SCALE PRINT</b>	TOLERANCE UNLESS STATED ALL DIMENSIONS IN MM	SIM TO	NAME	DATE		<b>CUMMINS POWER GENERATION</b> COLUMBUS AVENUE, MANSTON, RAMSGATE KENT, CT12 5BF, ENGLAND, UK
	X ± 3 X.X ± 1 X.XX ± 0.5	COPY TO FROM	DRAWN M DIXIT	13/02/07		
ANG TOL ± 1.0°	0.00 - 4.99 +0.15/-0.06 5.00 - 9.99 +0.20/-0.10 10.00 - 24.99 +0.25/-0.13 25.00 - 24.99 +0.30/-0.13	THIRD ANGLE PROJECTION 	CHECK S BAVISKAR	13/02/07	TITLE	GENSET OUTLINE (STD ENCLOSED)
DRAWN TO SCALE OF: 23:300	FOR INTERPRETATION OF DIMENSIONING AND TOLERANCING, SEE BS 308 PART 2	APPR J MATTHEWS	13/02/07	SITE CODE	PGK	DWG NO 0500-4680
		FIRST USED ON C175D5				SHEET 1 OF 1