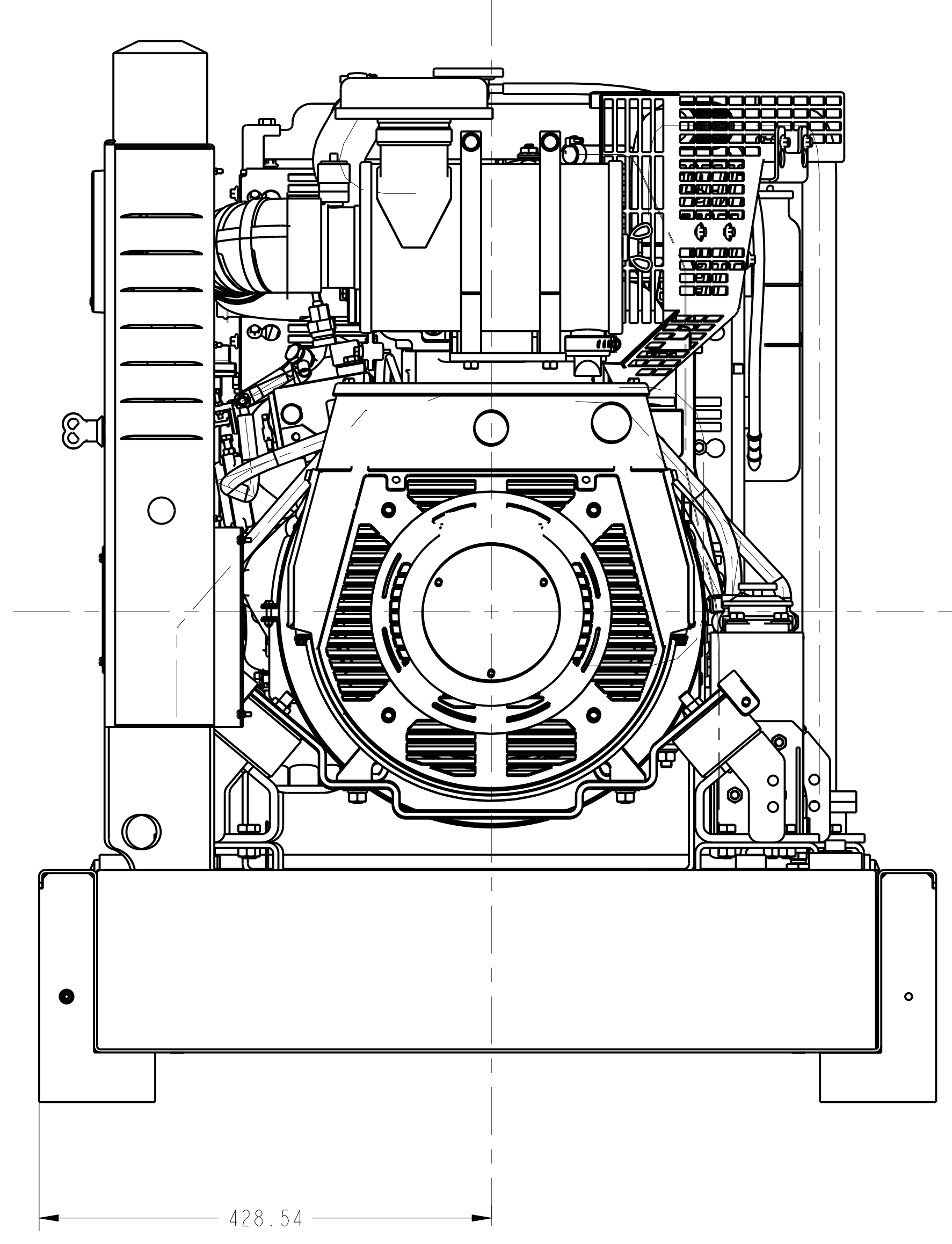
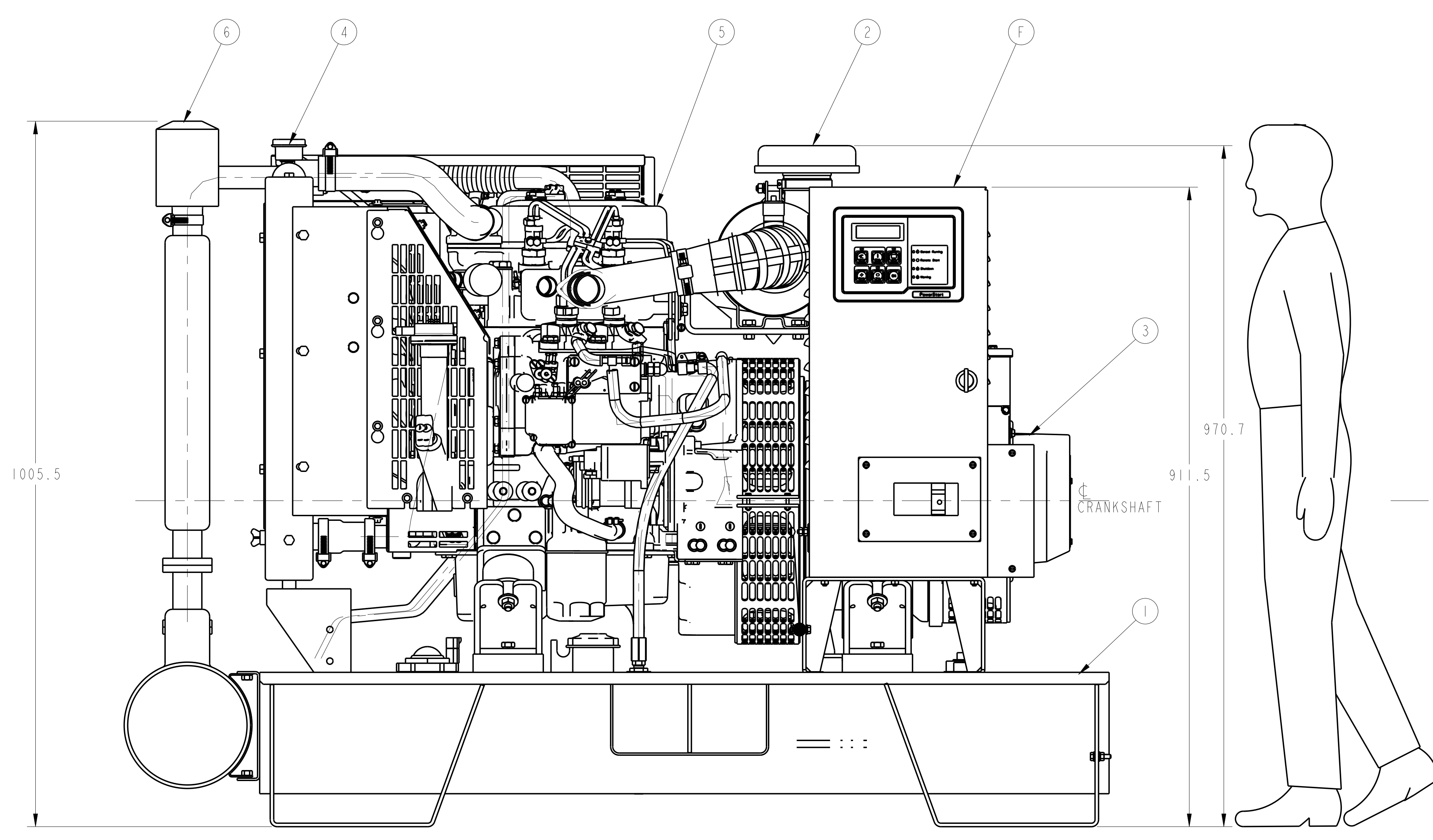
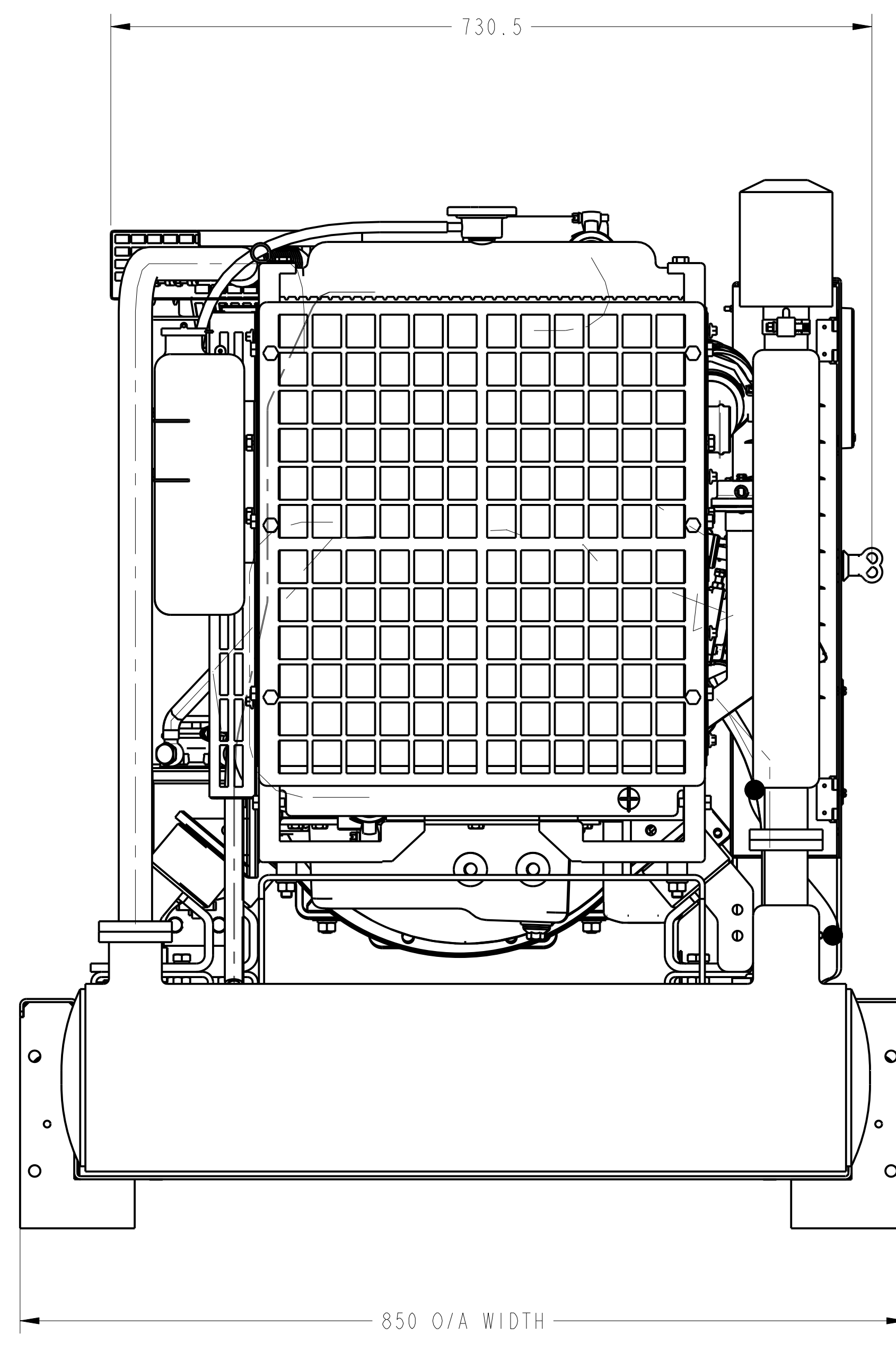
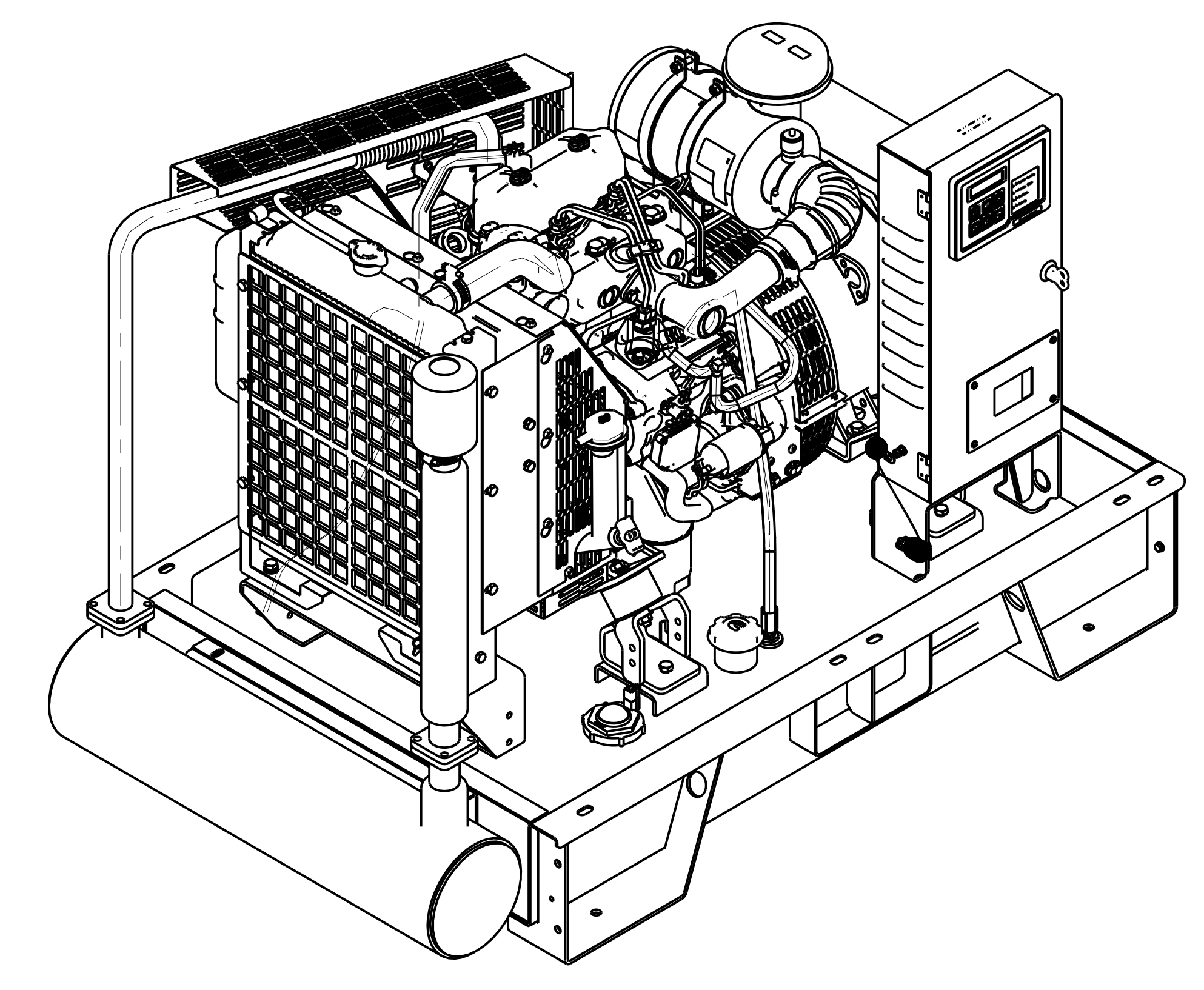
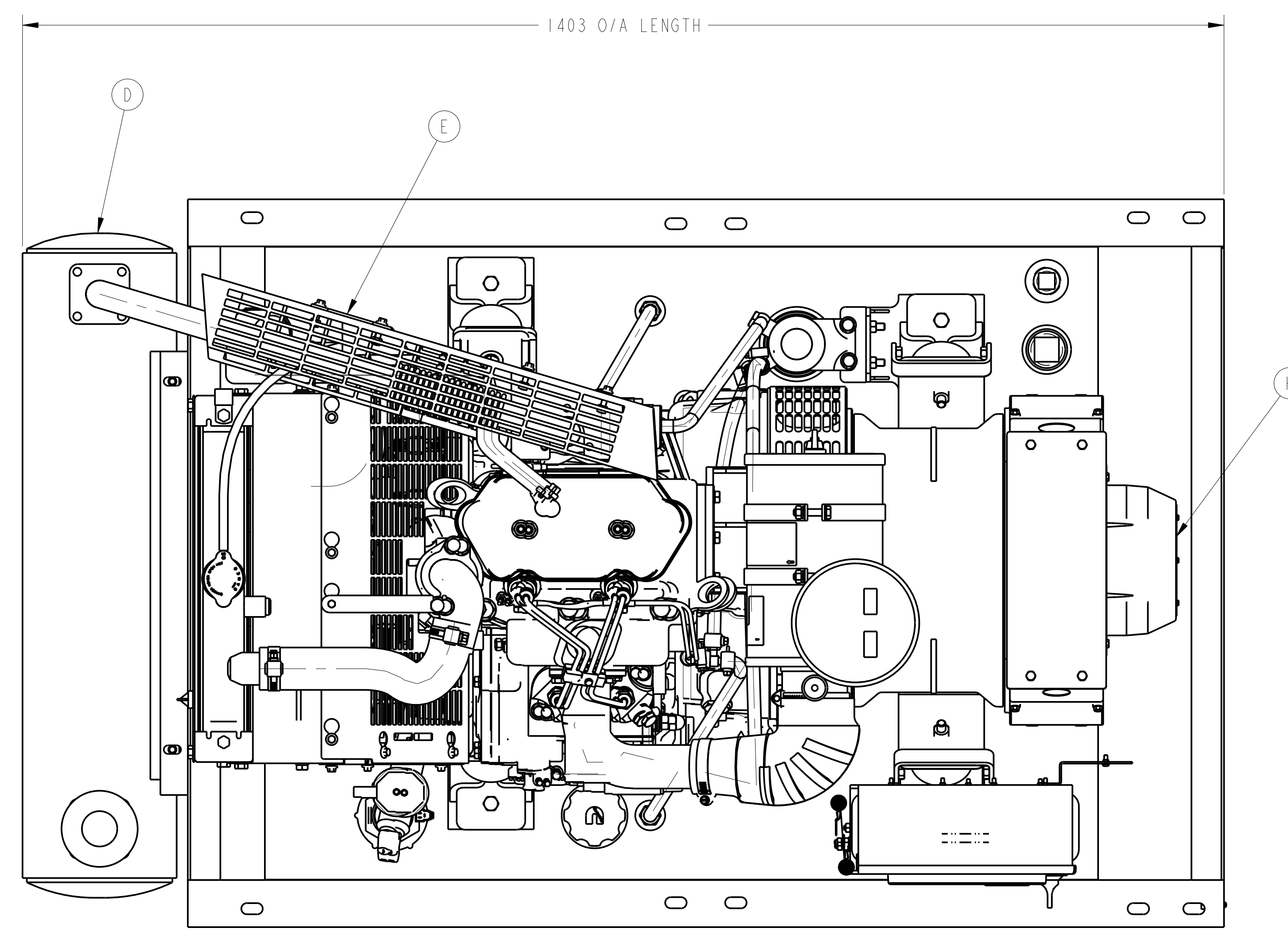




REL NO	LR	NO	REVISION	DRW	CAD	APVD	DATE
ER575087	A	1	PRODUCTION RELEASE	MS	Y	J	15MAY09
ER575087	B	2	ZONE DT, ADD NOTES	PS	Y	J	18NOV09
ECO-110009	C	-	-	PS	Y	J	28APR10

NOTES:  
1. LIFT ONLY BY FORK LIFT, FORKS UNDER BEDFRAME.



AVAILABLE OPTION (NOT SHOWN UNLESS STATED)	
ITEM	DESCRIPTION
A	SOLENOID COIL
B	ACTUATOR
C	BATTERY
D	MUFFLER (SHOWN)
E	EXHAUST GUARD (SHOWN)
F	CONTROL PANEL PCC500 (SHOWN)
G	COOLANT HEATER
H	EBS (SHOWN)

QTY	ITEM	PART NO	DESCRIPTION OR MATERIAL
1	6	---	EXHAUST INSTL
1	5	---	ENGINE (X1.3)
1	4	---	RADIATOR INSTL
1	3	---	GENERATOR INSTL
1	2	---	AIR CLEANER
1	1	---	SKID ASSY

UNLESS OTHERWISE SPECIFIED, ALL DIMENSIONS ARE IN MILLIMETERS.  
DO NOT SCALE PRINT

DRW NO	0500_4997	DRW	M. SHE. J. WALKAR
DATE	15MAY09	CAD	Y. JOSHI
APVD	Y. JOSHI	SITE CODE	
ANG TOL:	± 1.0°	SCALE:	1/5

PROPERTY OF CUMMINS POWER GENERATION GROUP

FOR INTERPRETATION OF FIRST USE ON SOLICITING, SEE FORM T-1.0-10-1004

CUMMINS POWER GENERATION  
GENSET OUTLINE  
0500\_5132  
SHEET 2 of 2