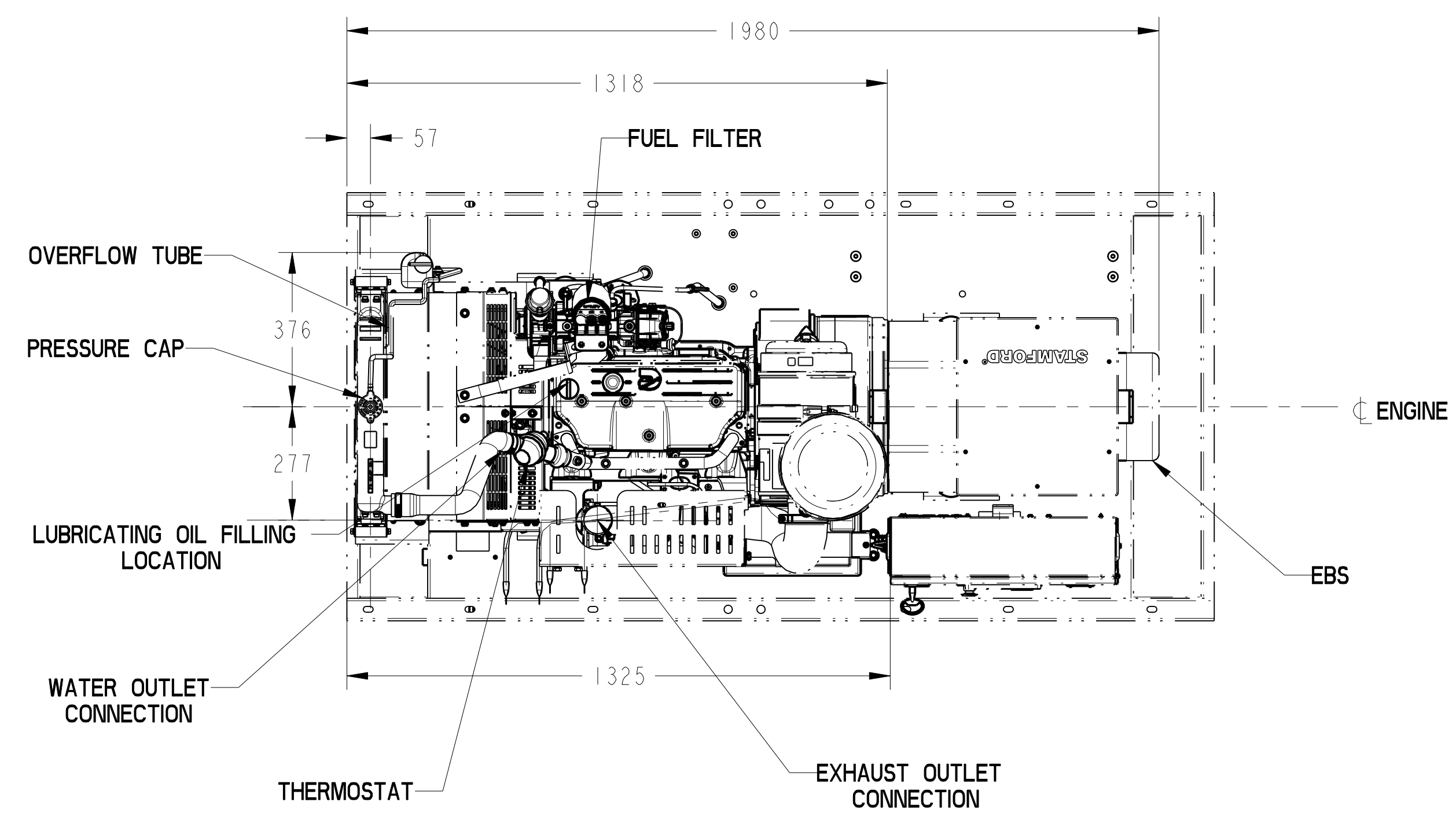


REL NO	LTR	NO	REVISION	DWN	CKD	APVD	DATE
ECO-XXXXX	A	1	PRODUCTION RELEASE	SP	KB	A_MEHTA	10AUG11

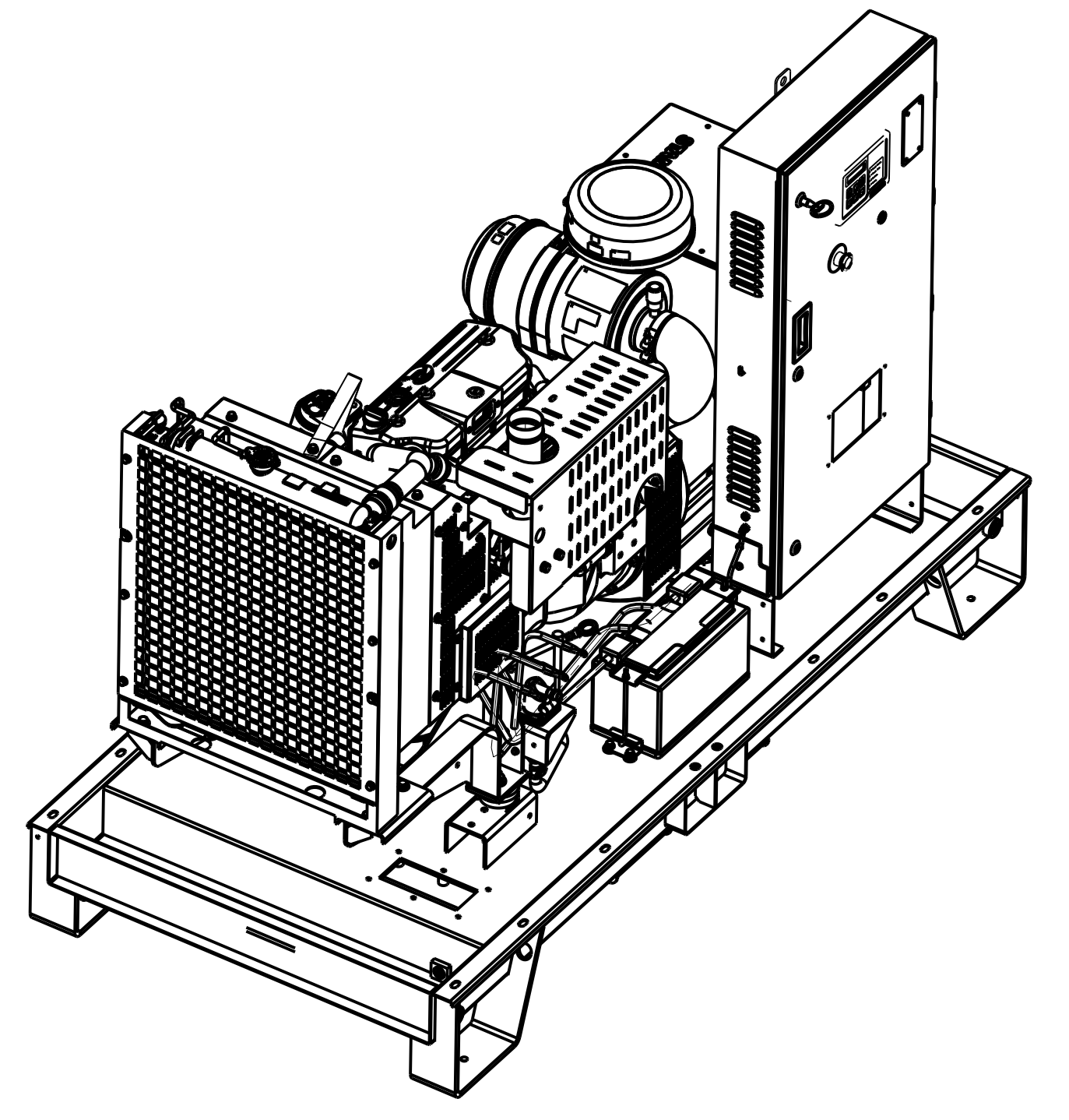
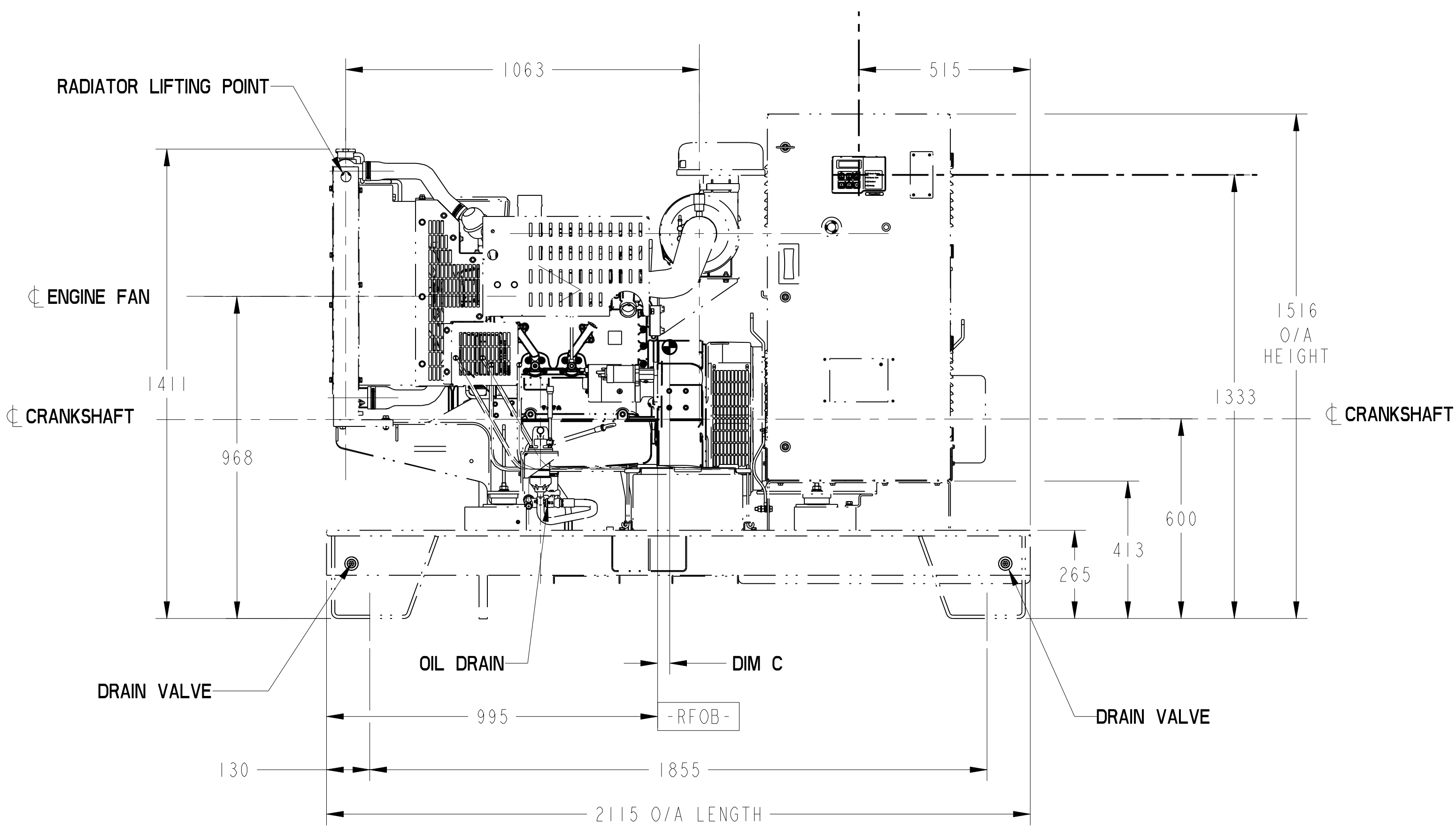
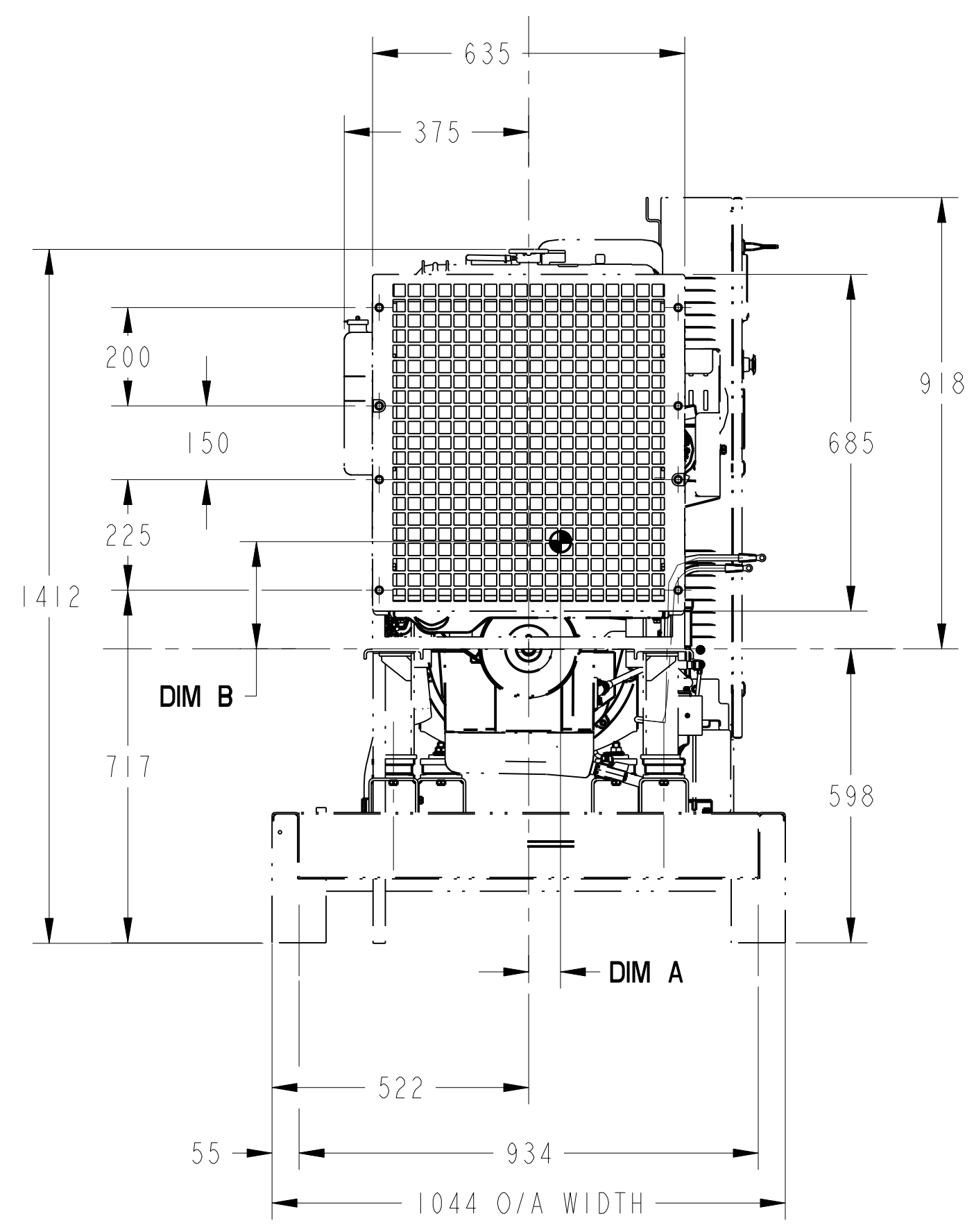
- NOTES:
- VIEWS SHOW STANDARD BASE SKID.
  - FUEL TANK CAPACITY 155 Ltrs. APPROXIMATE.
  - CUSTOMER LOAD CABLES TO BE FLEXIBLE TO ALLOW MOVEMENTS OF GENSET ON ANTI-VIBRATION MOUNTS.

DRAFT



S/N	GENSET NOMENCLATURE	OPEN GENSET DRY WEIGHT WITH SKID (Kg)		OPEN GENSET WET WEIGHT (Kg.)	
		WITH EBS	WITHOUT EBS	WITH EBS	WITHOUT EBS
1	S3.8 + UC 224 C	945.2	940.2	1107.2	1102.2
2	S3.8 + UC 224 D	958.2	953.2	1120.2	1115.2
3	S3.8 + UC 224 E	985.2	980.2	1147.2	1142.2
4	S3.8 + UC 224 F	1005.2	1000.2	1167.2	1162.2
5	S3.8 + UC 224 G	1055.2	1050.2	1217.2	1212.2

DIM A	DIM B	DIM C
84.5	218	21



3D VIEW

UNLESS OTHERWISE SPECIFIED, ALL DIMENSIONS ARE IN MILLIMETERS		SHR 10	DWN S_PATIL		CUMMINS POWER GENERATION	
DO NOT SCALE PRINT		CRD K_BANU	APVD A_MEHTA		OUTLINE, GENSET	
DATE 10AUG11		SITE CODE		SHEET 1 of 1		
ANG TOL: ± 1.0°		SCALE: 3/32	FOR INTERPRETATION OF DIMENSIONS AND TOLERANCES, SEE ASME Y14.5M-1994	FOR FIRST USE ON 33.8 INTL SPEC	CIL	REV A
DIM		ANGLE	SCALE	DATE	REV	DATE
X ± 1	0.00- 4.99 +0.15/-0.08	± 0.5°	3/32	10AUG11	A	10AUG11
.X ± 0.8	5.00- 9.99 +0.20/-0.10	± 0.25°				
.XX ± 0.38	10.00-17.49 +0.25/-0.13	± 0.15°				
	17.50-24.99 +0.30/-0.13	± 0.10°				