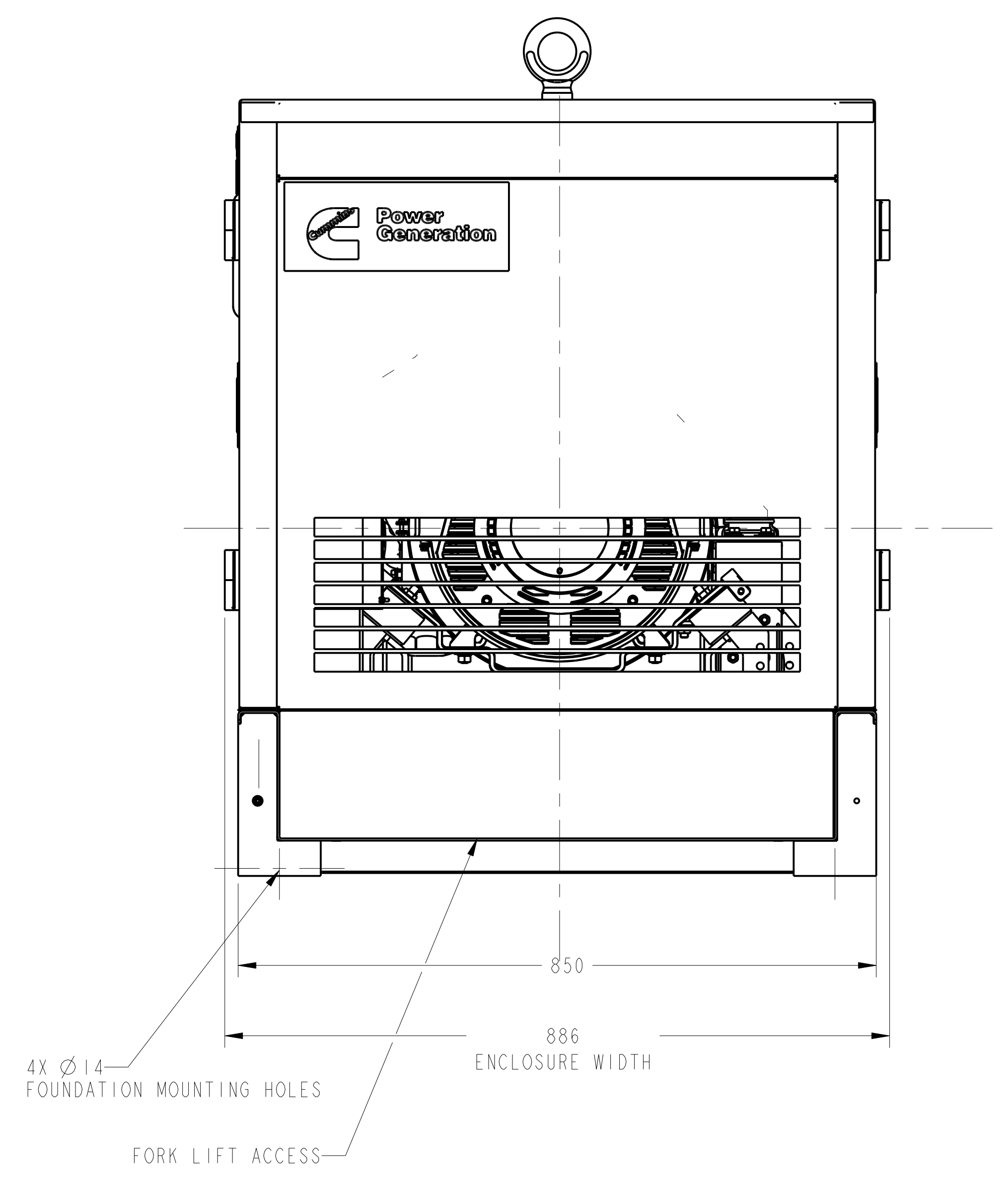
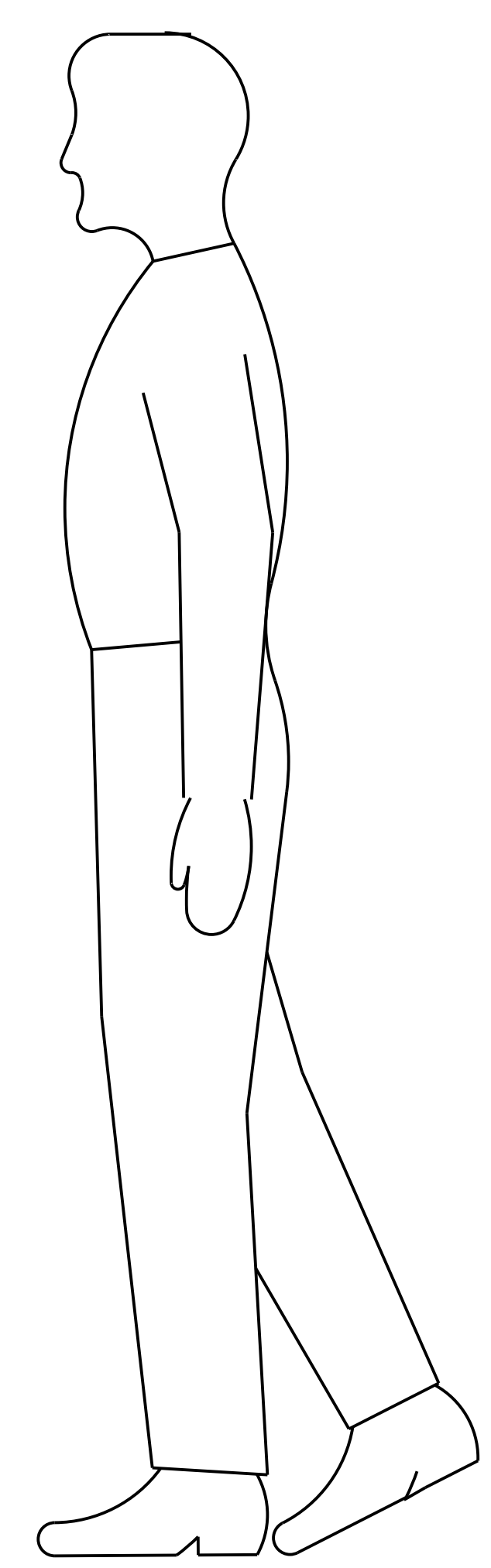
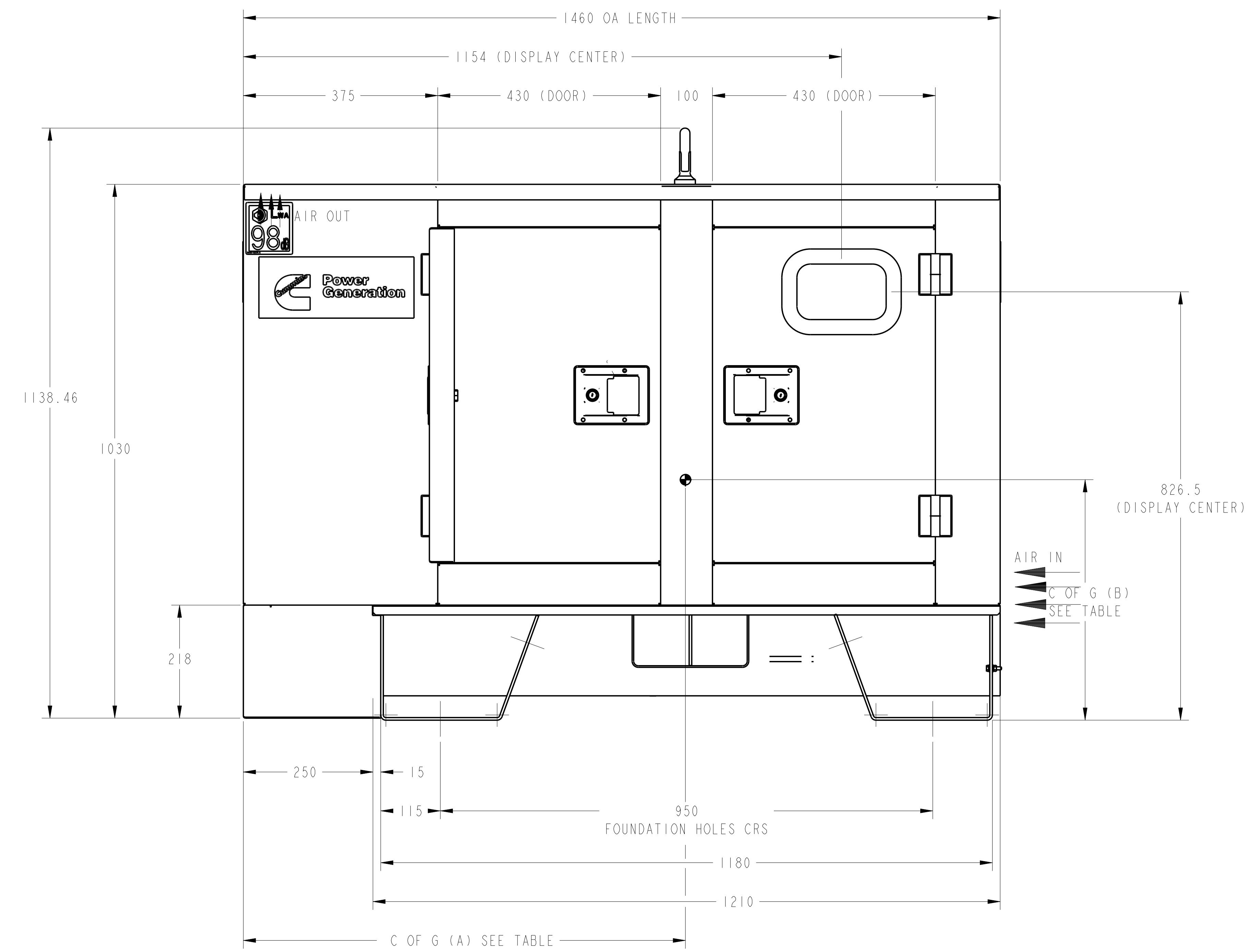
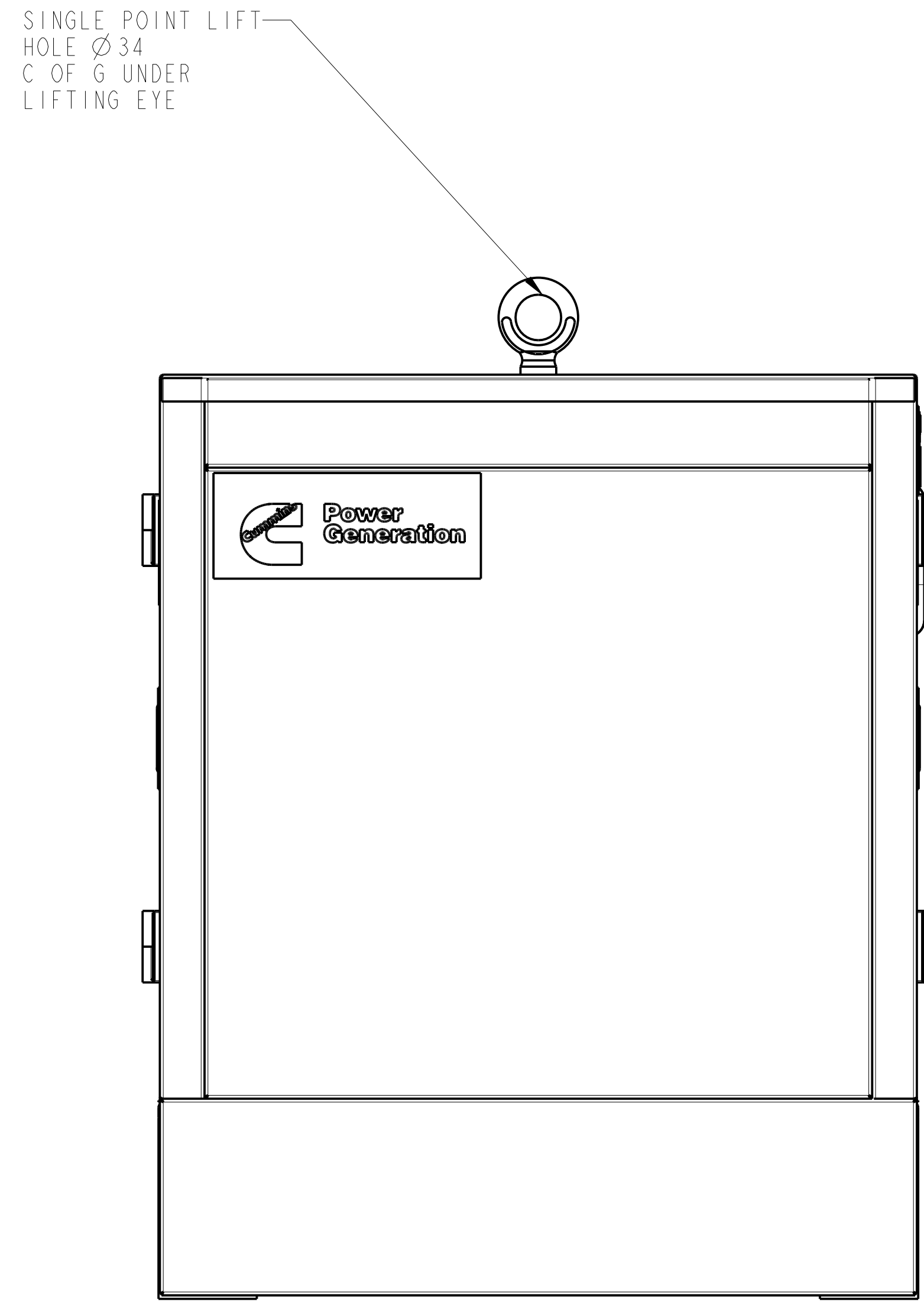
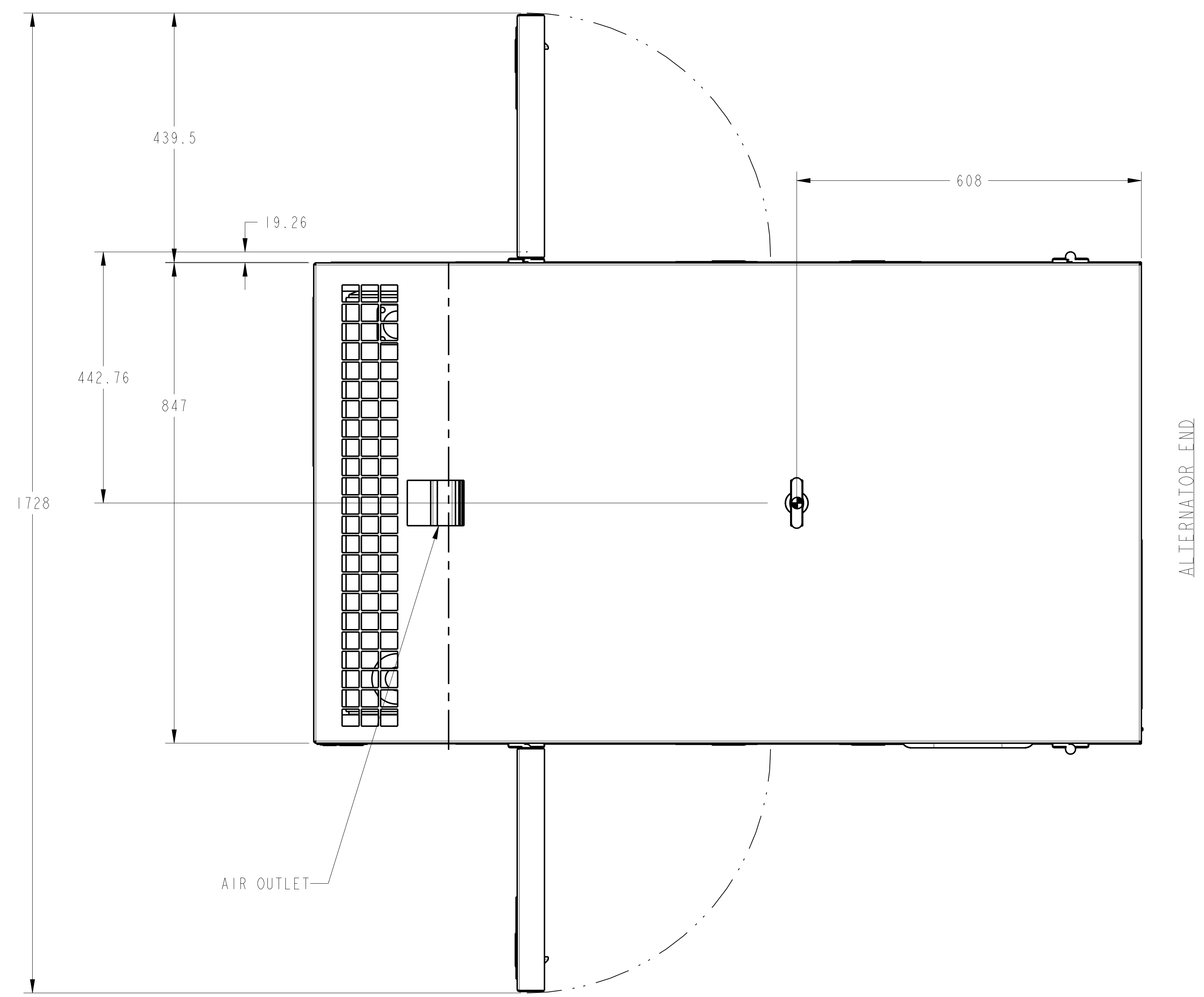


REL NO	LIB NO	REVISION	DRW	CD	APVD	DATE
ER574919	A	PRODUCTION RELEASE	MS	Y.J.	Y. JOSHI	15MAY09
ER575087	B	ZONE D1, ADD NOTE	PS	Y.J.	Y. JOSHI	18NOV09
		2. SEE SHEET 2				
ECO-110009	C	ZONE A4, UPDATE TABULATION TABLE	PS	Y.J.	Y. JOSHI	28APR10

NOTES:
 1. LIFTING ONLY BY SINGLE POINT LIFTING EYE OR BY FORK LIFT, FORKS UNDER BEDFRAME.
 2. GENSET OUTLINE WITH STANDARD SKID.

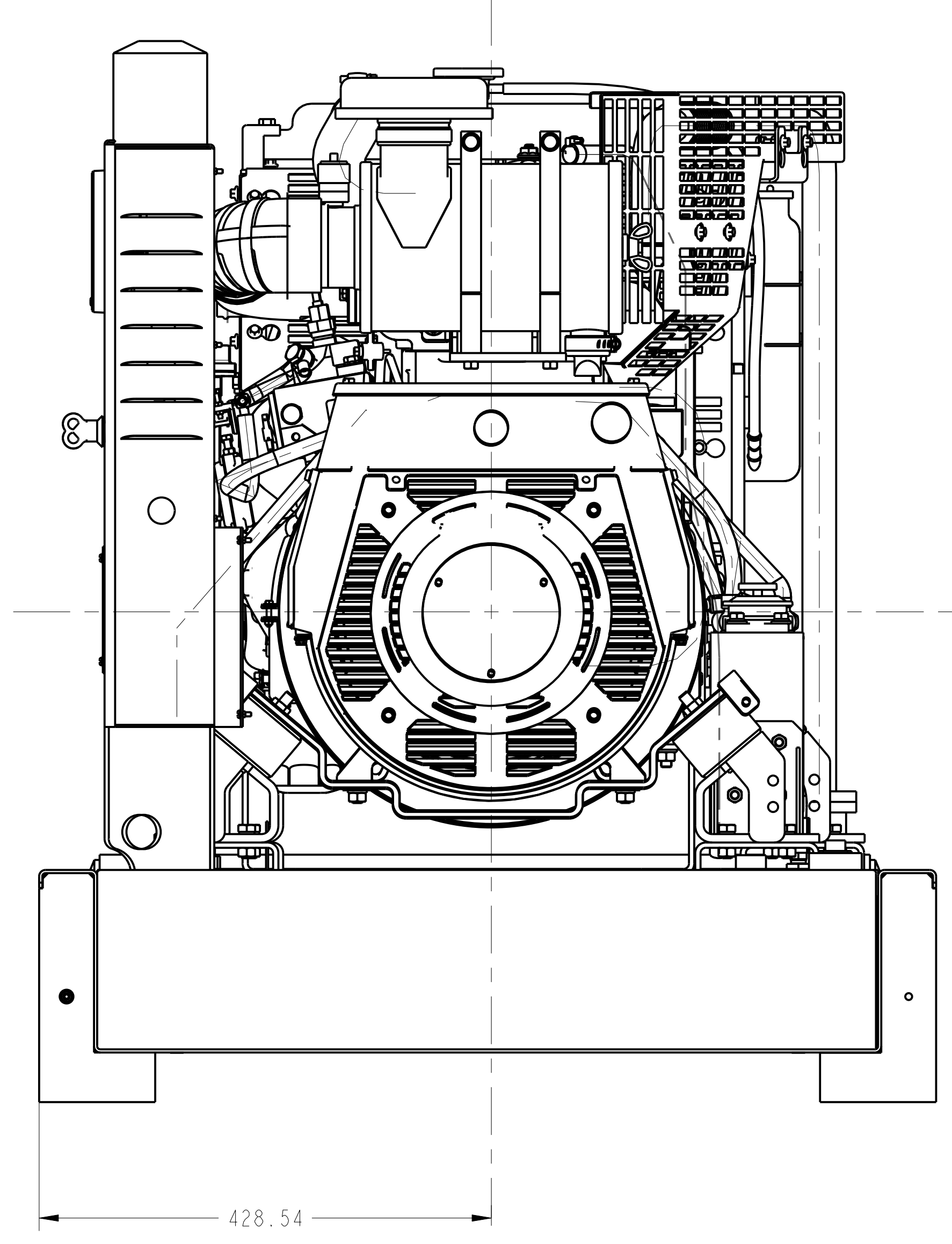
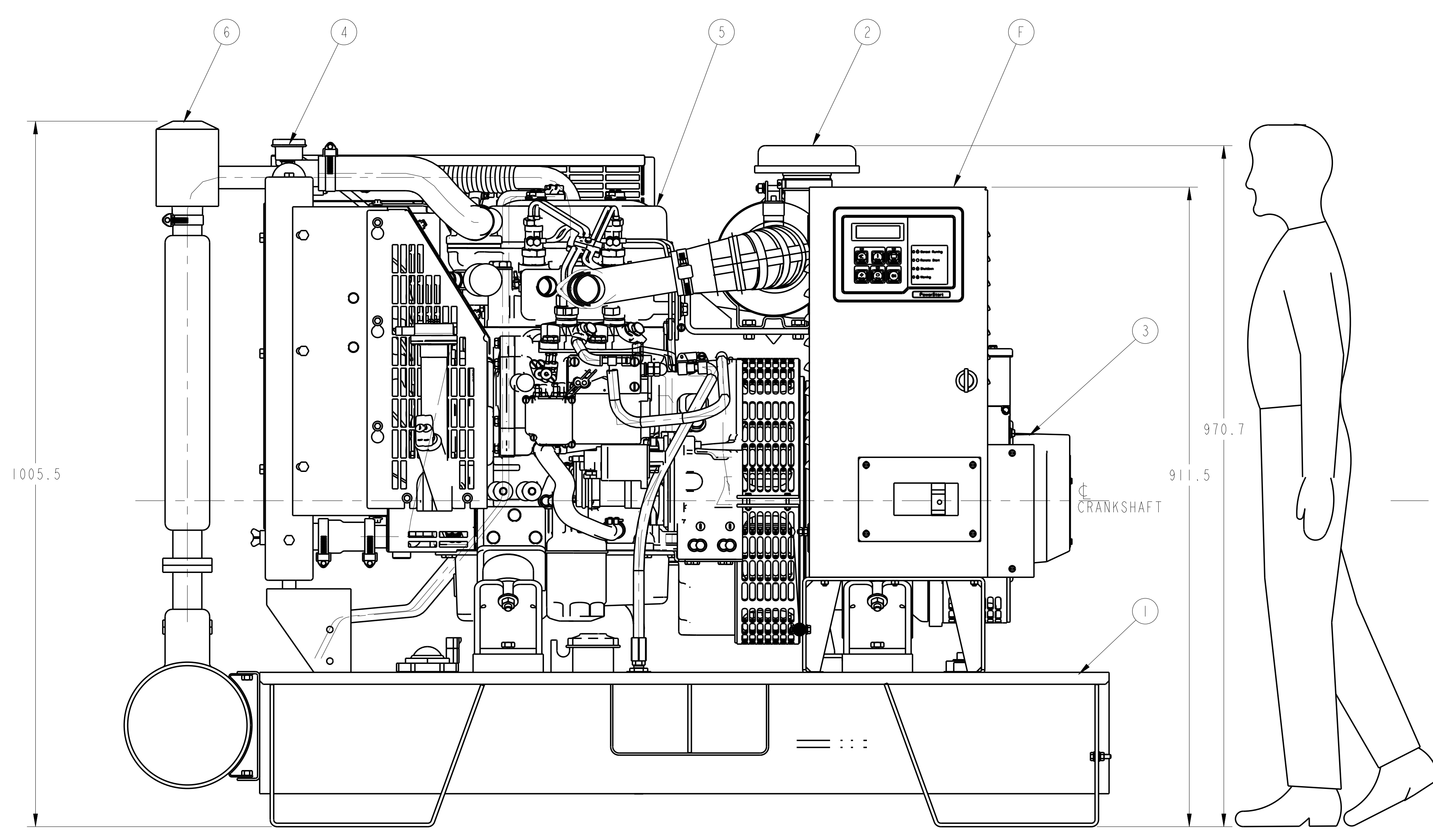
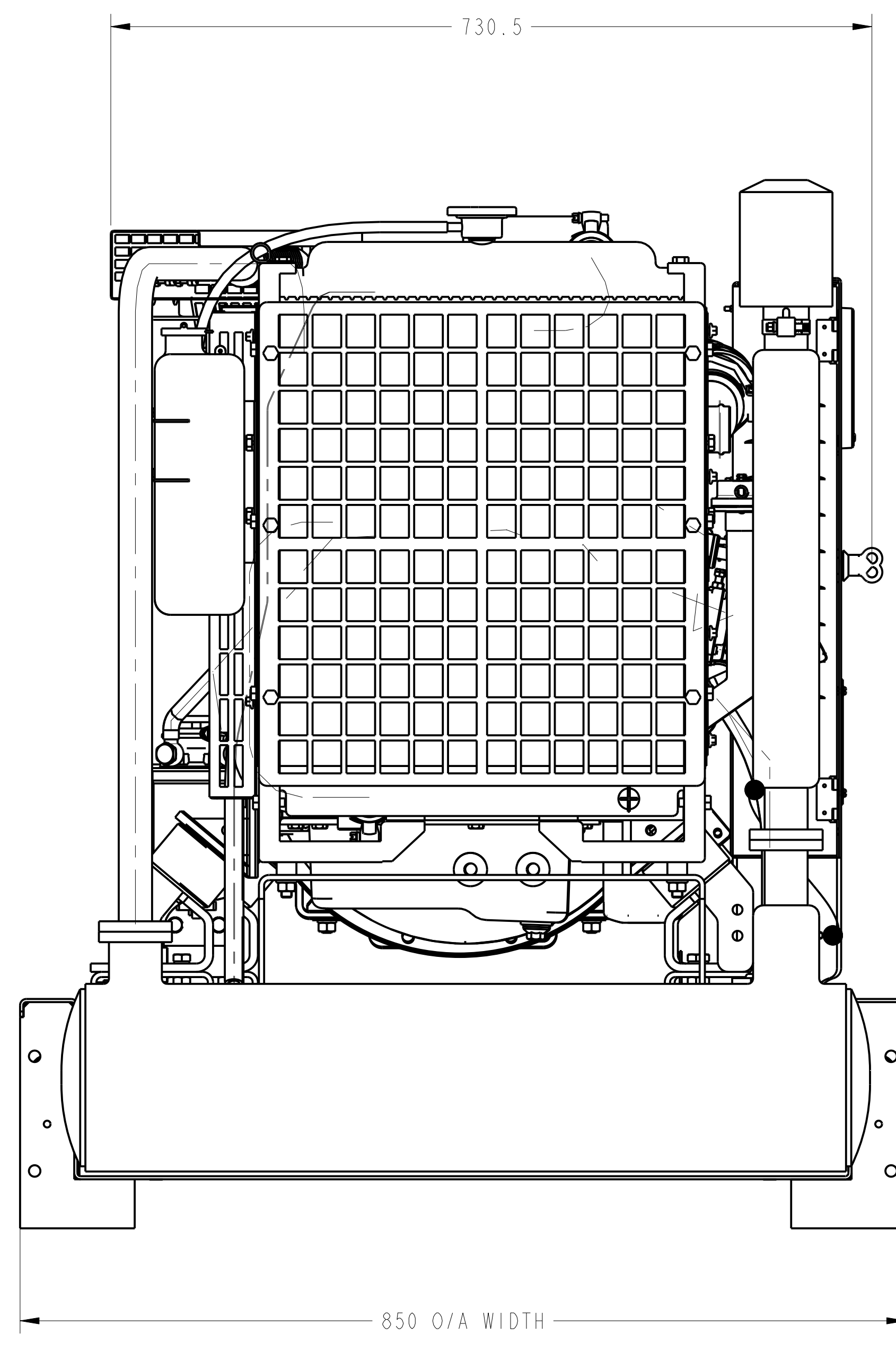
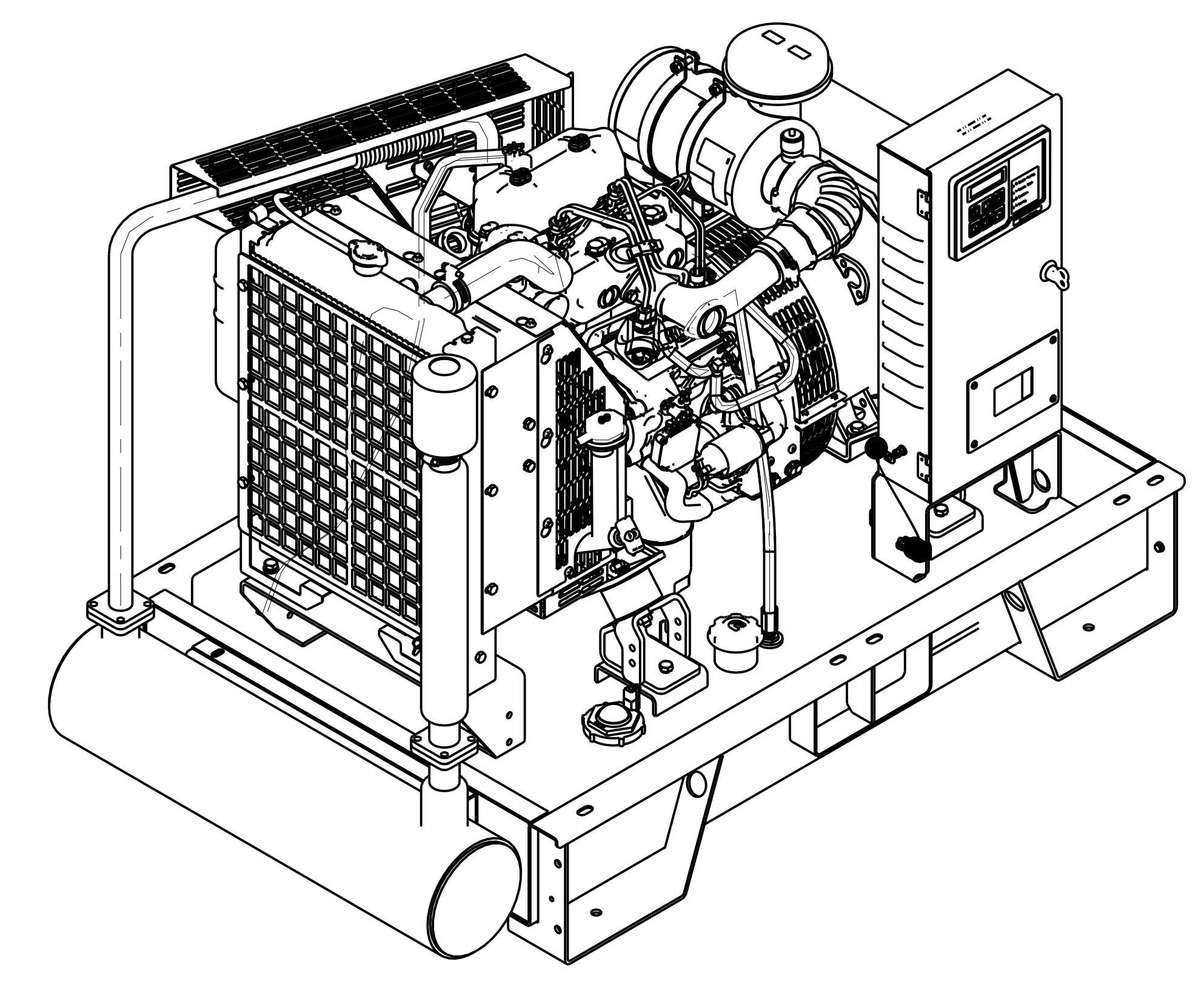
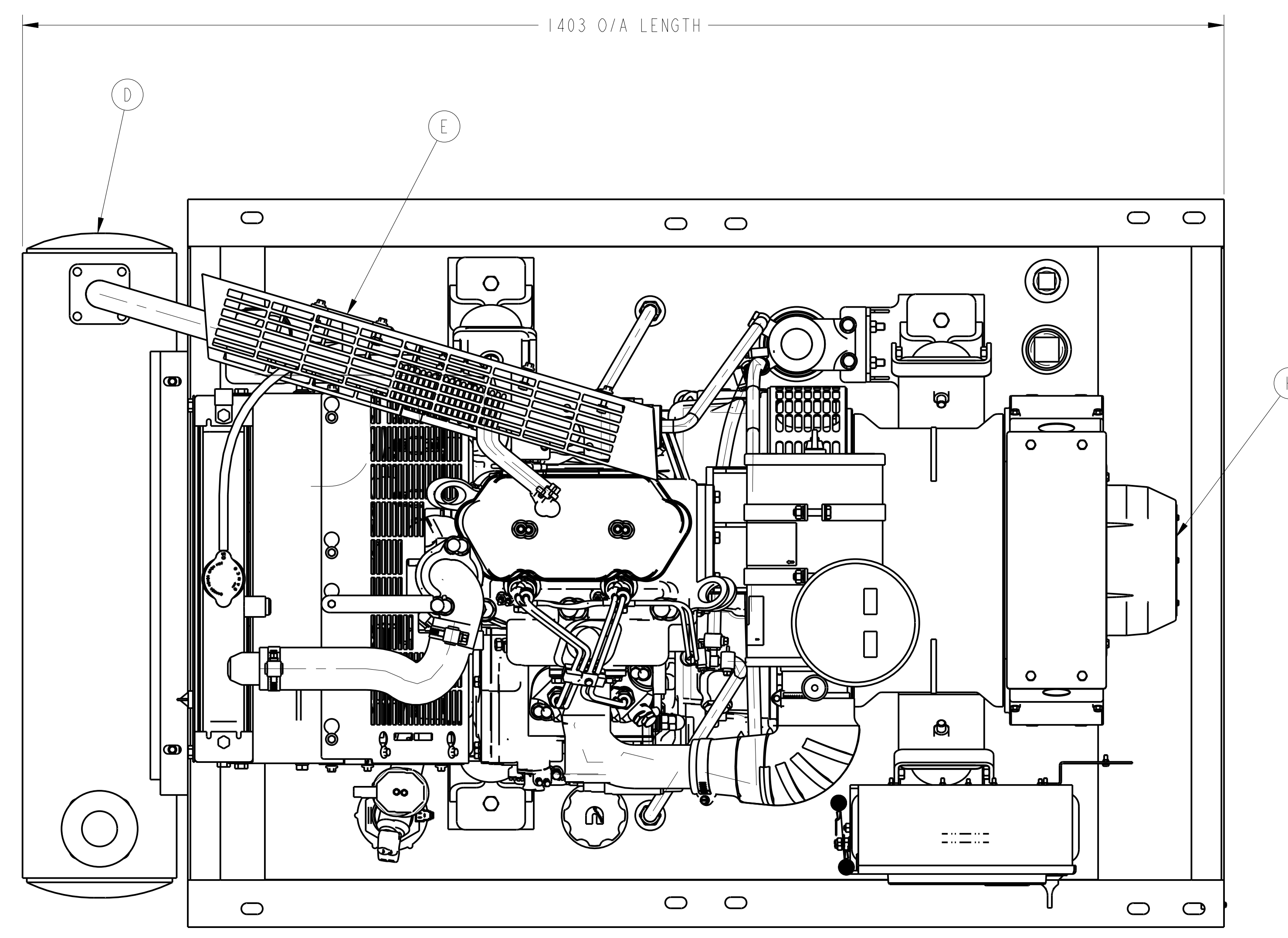


TABULATION - GENSET WEIGHT AND CG						
ENGINE	ALTERNATOR	ALTERNATOR WEIGHT(Kg)	GENSET DRY WEIGHT(kg)	GENSET WET WEIGHT+FUEL	C OF G (A)	C OF G (B)
X1.3 G2	P1044D	75	568	670.61	852	464
	P1044E	80	572	675.61	852	464
	P1044F	89	581	684.61	852	464
	P1044G	96	588	691.61	852	464

UNLESS OTHERWISE SPECIFIED, ALL DIMENSIONS ARE IN MILLIMETERS.		REV NO 0500_4997	DRW M. SHE. J. WALKAR	CUMMINS POWER GENERATION	
DO NOT SCALE PRINT		CD Y. JOSHI		GENSET OUTLINE	
APVD Y. JOSHI		DATE 15MAY09		SITE CODE	
ANG TOL: ± 1.0°		SCALE: 1/5		SHEET 1 of 2	
PROPERTY OF CUMMINS POWER GENERATION GROUP		FOR INTERPRETATION OF DIMENSIONS AND TOLERANCES, SEE: 1.1.1.1.1.1.1.1.1.1		SUB12KVA CIL	
				0500_5132	

REL NO	LR	NO	REVISION	DRW	CAD	APVD	DATE
ER575087	A	1	PRODUCTION RELEASE	MS	Y	J	15MAY09
ER575087	B	2	ZONE DT, ADD NOTES	PS	Y	J	18NOV09
ECO-110009	C	-	-	PS	Y	J	28APR10

NOTES:
1. LIFT ONLY BY FORK LIFT, FORKS UNDER BEDFRAME.



AVAILABLE OPTION (NOT SHOWN UNLESS STATED)	
ITEM	DESCRIPTION
A	SOLENOID COIL
B	ACTUATOR
C	BATTERY
D	MUFFLER (SHOWN)
E	EXHAUST GUARD (SHOWN)
F	CONTROL PANEL PCC500 (SHOWN)
G	COOLANT HEATER
H	EBS (SHOWN)

QTY	ITEM	PART NO	DESCRIPTION OR MATERIAL
1	6	---	EXHAUST INSTL
1	5	---	ENGINE (X1.3)
1	4	---	RADIATOR INSTL
1	3	---	GENERATOR INSTL
1	2	---	AIR CLEANER
1	1	---	SKID ASSY

UNLESS OTHERWISE SPECIFIED, ALL DIMENSIONS ARE IN MILLIMETERS.		SHEET NO 0500_4997		DRW M SHE J WALKAR		CUMMINS POWER GENERATION	
DO NOT SCALE PRINT		CAD Y JOSHI		CUMMINS POWER GENERATION		GENSET OUTLINE	
ANG TOL: ± 1.0°		SCALE: 1/5		DATE 15MAY09		SITE CODE	
PROPERTY OF CUMMINS POWER GENERATION GROUP		FOR INTERPRETATION OF DIMENSIONS AND TOLERANCES, SEE: 11.0-01-004		FIRST USED ON: SUB12KVA		CUMMINS POWER GENERATION GROUP	
				SHEET 2 of 2		REV C	